



Installation instructions, accessories

Volvo Car Corporation Gothenburg, Sweden

Instruction No	Version	Part. No.
31414467	1.0	31339994

Parking assistance camera wide angle front (2013w46-)



IMG-373506



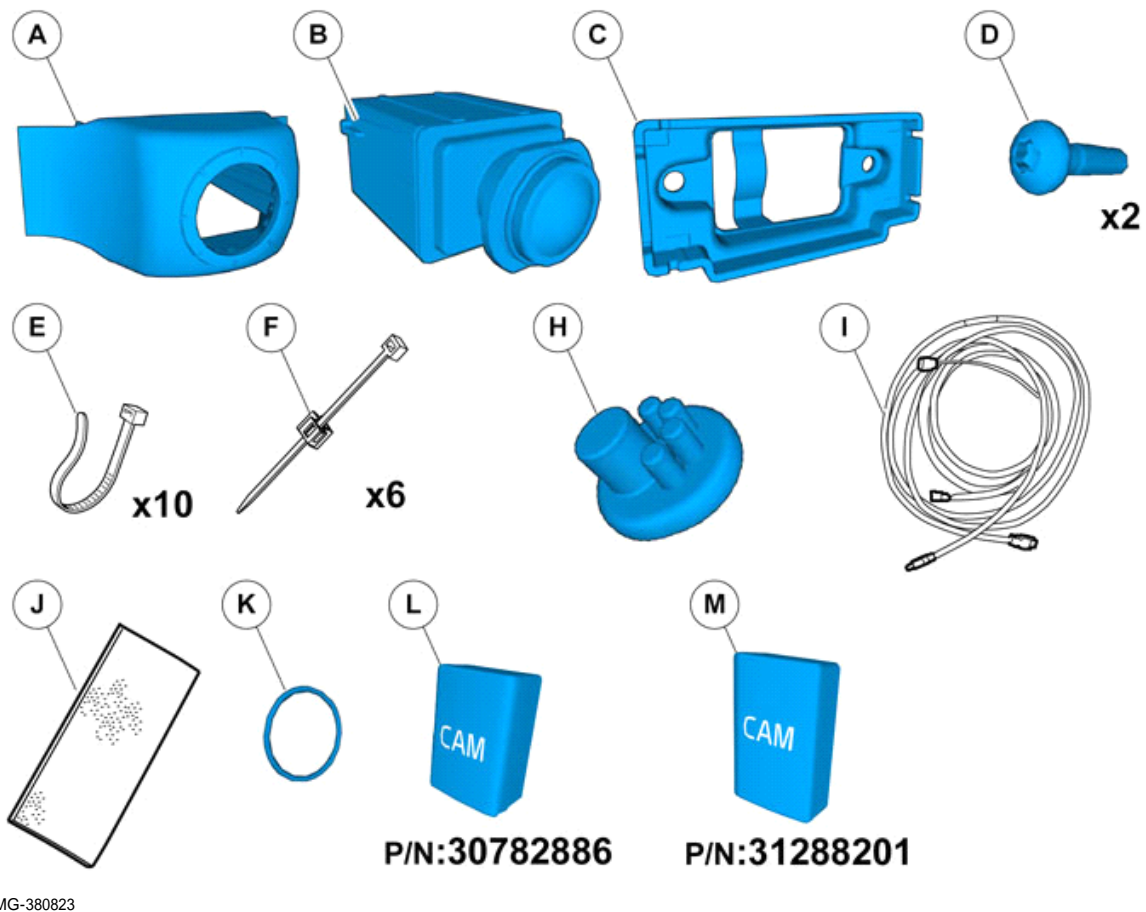
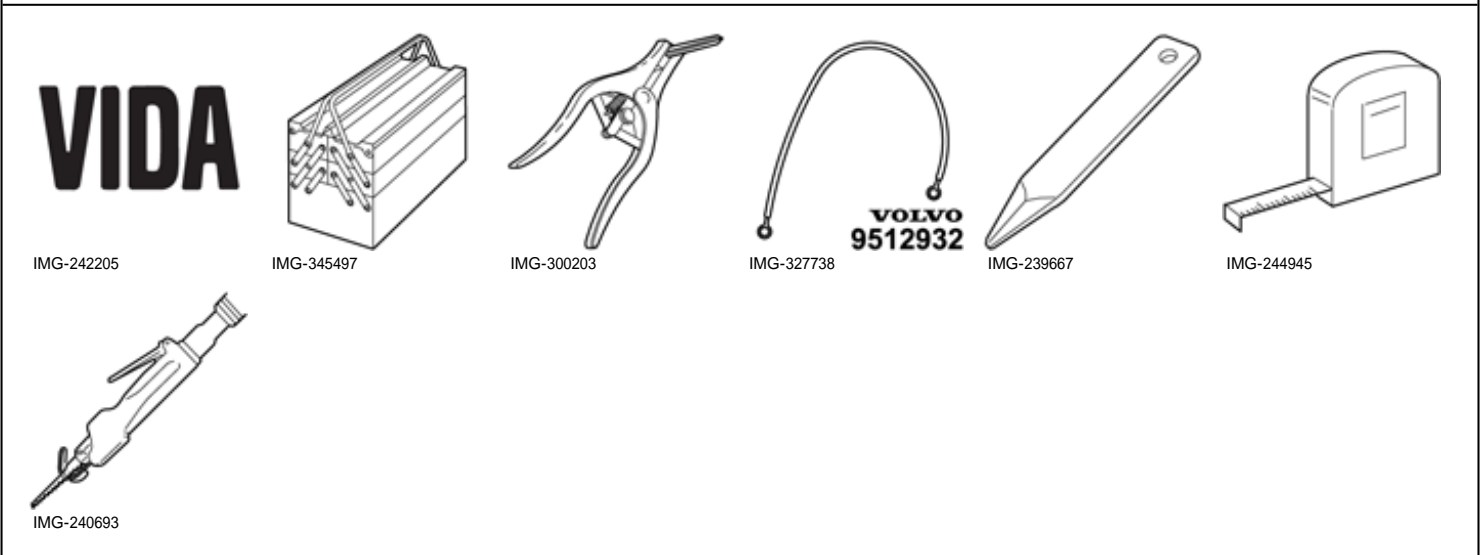
Installation instructions, accessories

Volvo Car Corporation Gothenburg, Sweden

Materials

Designation	Part number
Low temperature grease	1161427

Equipment





Installation instructions, accessories

Volvo Car Corporation Gothenburg, Sweden



Installation instructions, accessories

Volvo Car Corporation Gothenburg, Sweden

Information

1

Read through all of the instructions before starting installation.

Notifications and warning texts are for your safety and to minimise the risk of something breaking during installation.

Ensure that all tools stated in the instructions are available before starting installation.

Certain steps in the instructions are only presented in the form of images. Explanatory text is also given for more complicated steps.

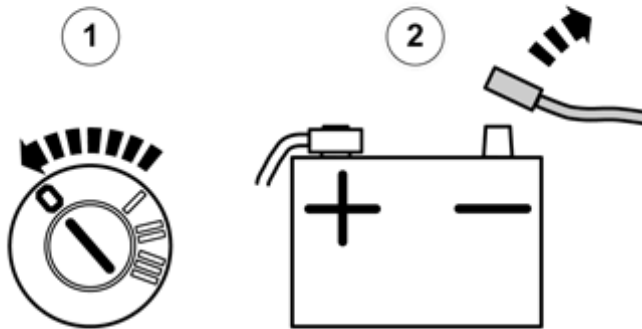
In the event of any problems with the instructions or the accessory, contact your local Volvo dealer.

Conditions

2

Set the ignition key to position 0.

Remove the battery's negative cable.



IMG-332179

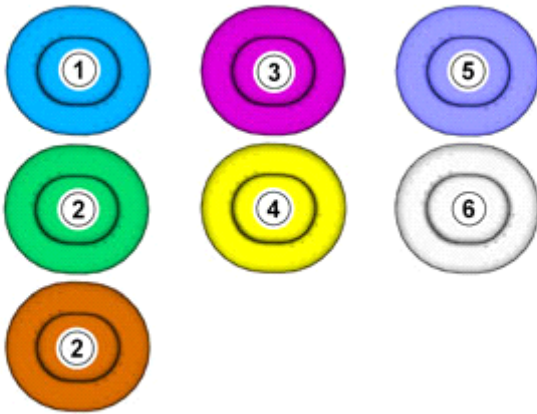
Color symbols



Installation instructions, accessories

Volvo Car Corporation Gothenburg, Sweden

3



IMG-363036

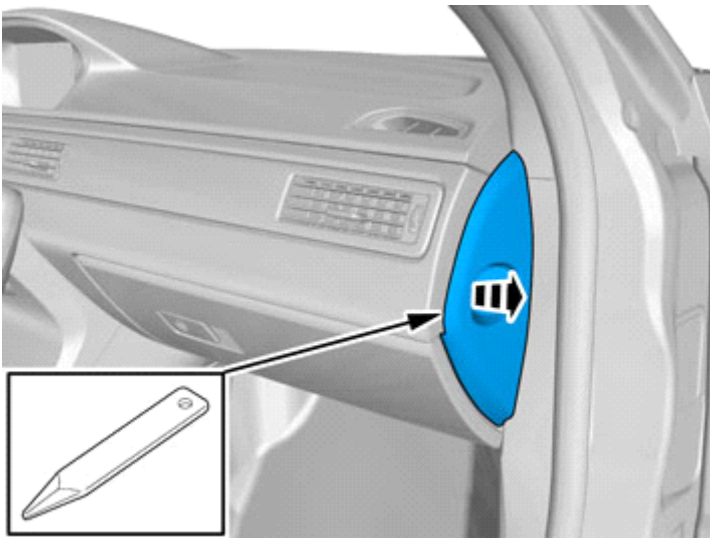
Note!

This colour chart displays (in colour print and electronic version) the importance of the different colours used in the images of the method steps.

1. Used for focused component, the component with which you will do something.
2. Used as extra colors when you need to show or differentiate additional parts.
3. Used for attachments that are to be removed/installed. May be screws, clips, connectors, etc.
4. Used when the component is not fully removed from the vehicle but only hung to the side.
5. Used for standard tools and special tools.
6. Used as background color for vehicle components.

Removal

4



IMG-354313

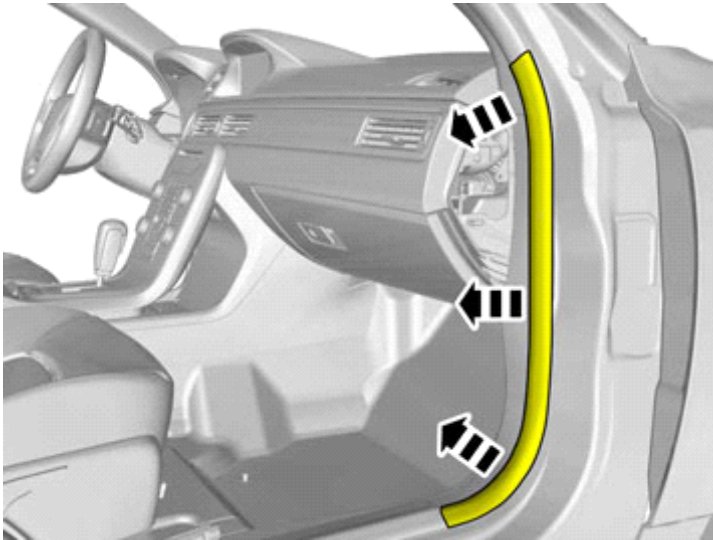
Remove the panel.



Installation instructions, accessories

Volvo Car Corporation Gothenburg, Sweden

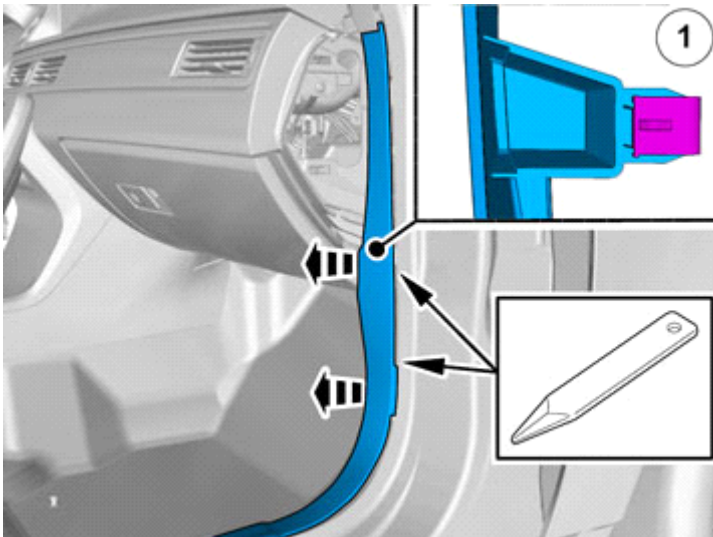
5



IMG-354315

Remove the panel.

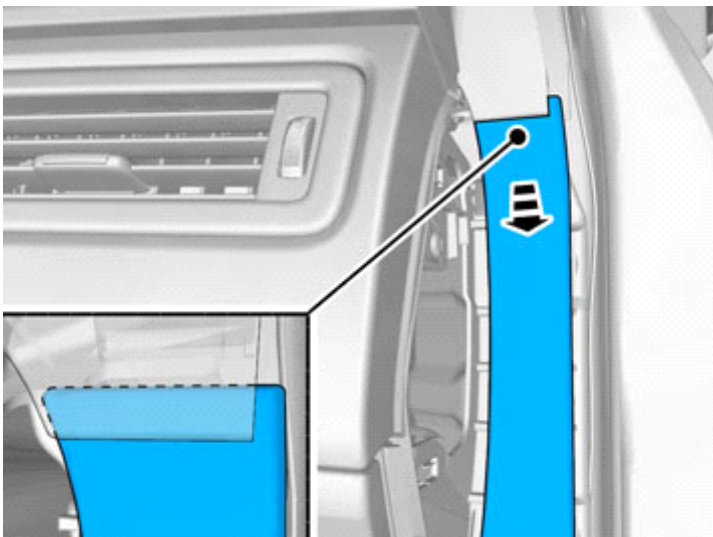
6



IMG-354318

Remove the weatherstrip.

7



IMG-354319

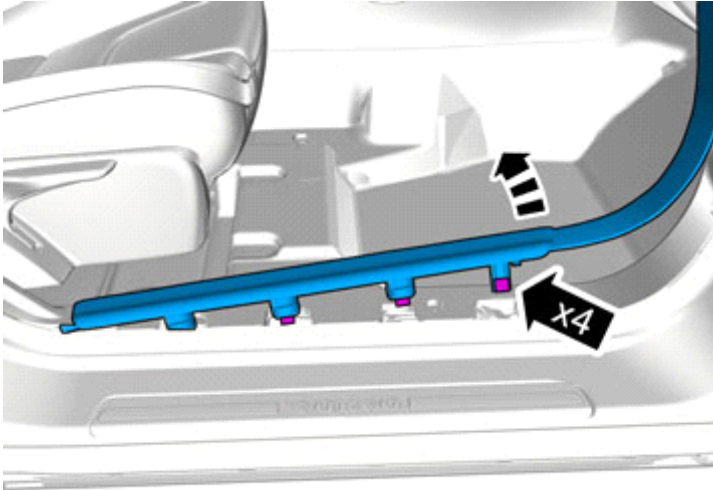
Remove the panel.



Installation instructions, accessories

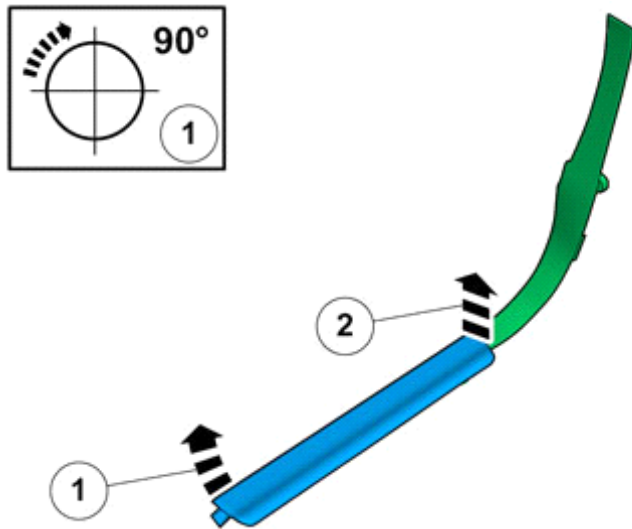
Volvo Car Corporation Gothenburg, Sweden

8



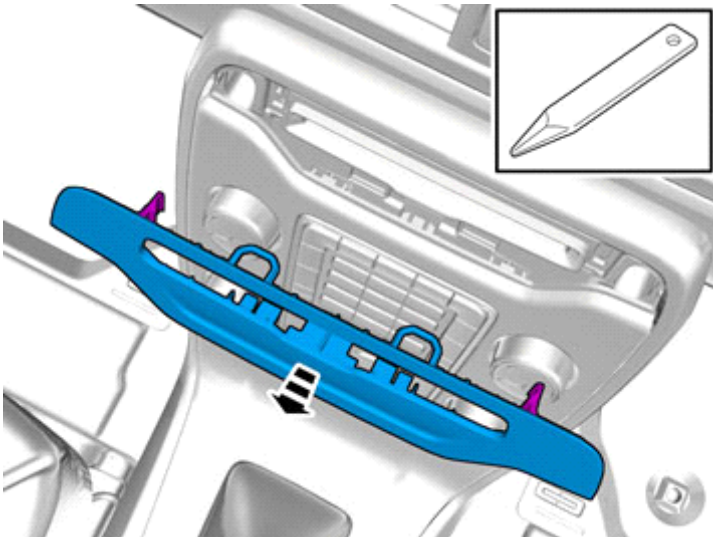
IMG-344930

9



IMG-354320

10



Remove the panel.

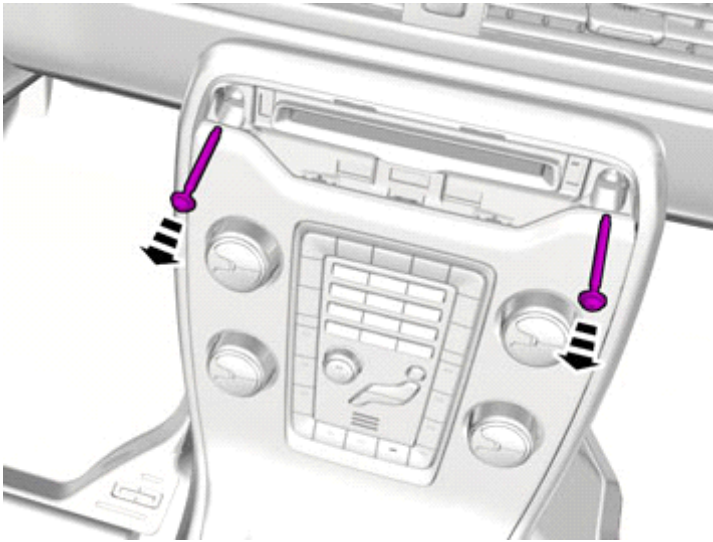
IMG-349804



Installation instructions, accessories

Volvo Car Corporation Gothenburg, Sweden

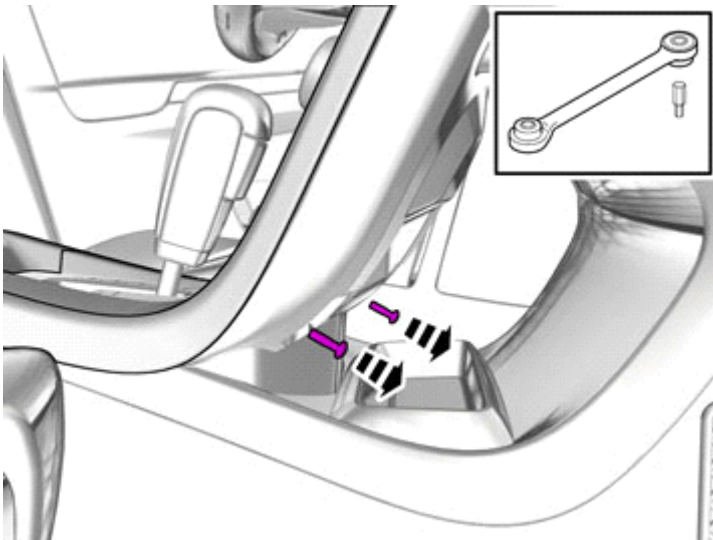
11



IMG-349806

Remove the screws.

12



IMG-345282

Remove the screws.

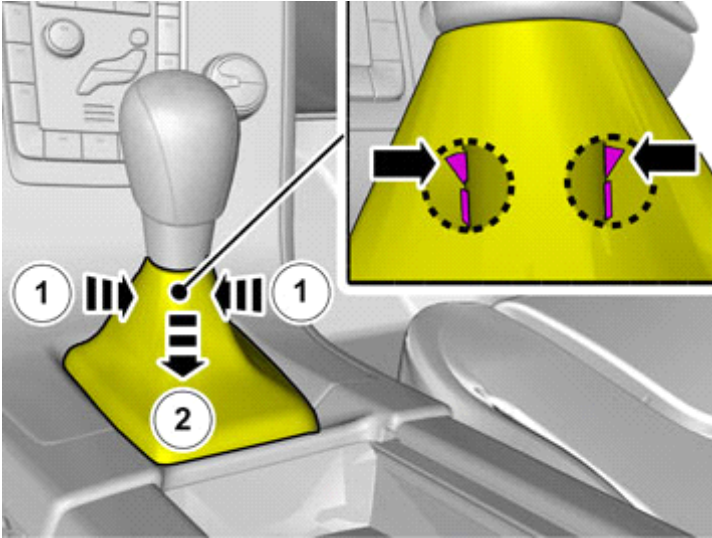
Cars with manual transmissions



Installation instructions, accessories

Volvo Car Corporation Gothenburg, Sweden

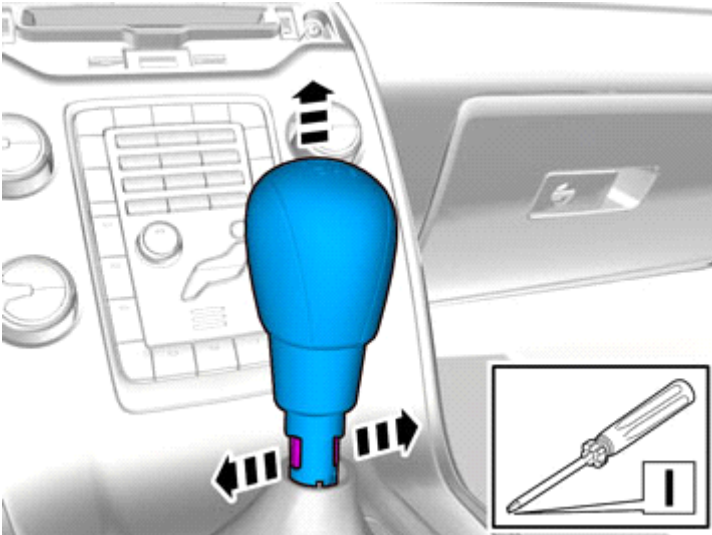
13



IMG-345747

Release the catch which is located inside the gear lever boot.

14



IMG-347222

Cars with automatic transmissions



Installation instructions, accessories

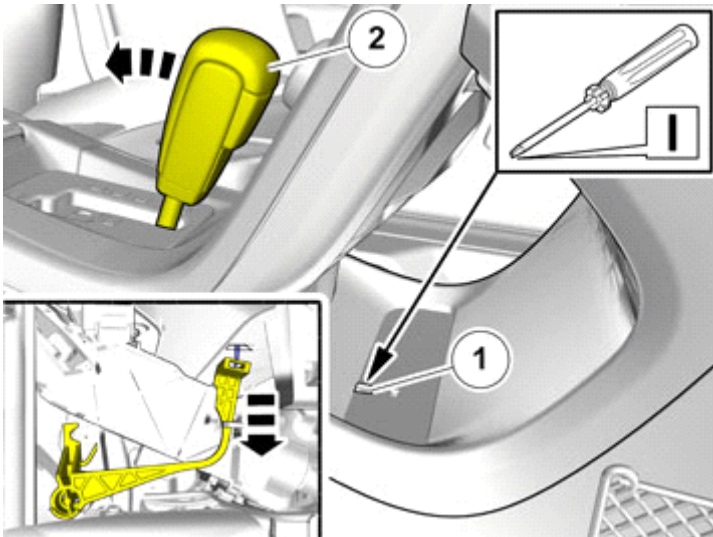
Volvo Car Corporation Gothenburg, Sweden

15



IMG-345283

16



IMG-345284

Release the shift-lock function.

Move the gear lever to D.

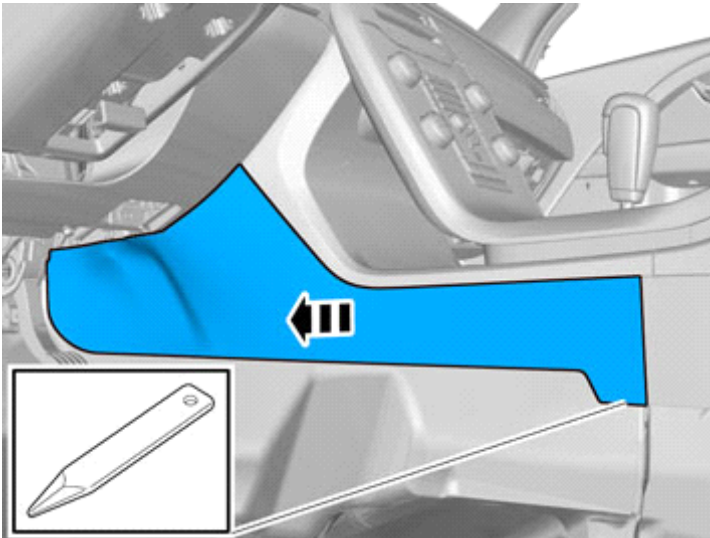
All vehicles



Installation instructions, accessories

Volvo Car Corporation Gothenburg, Sweden

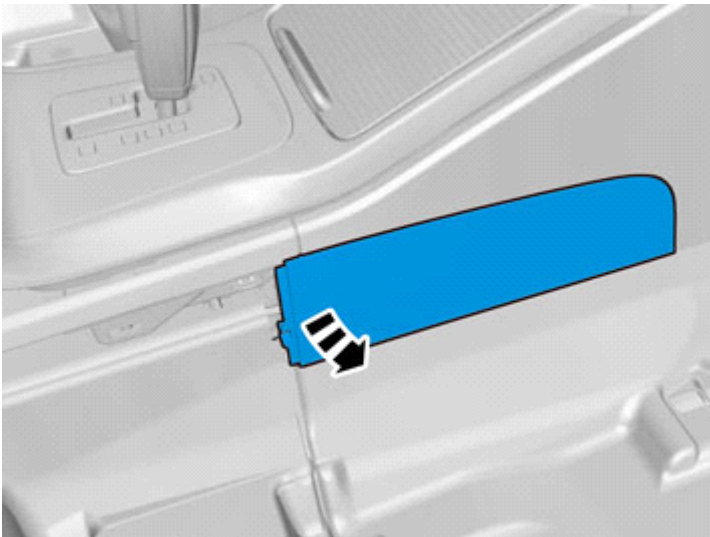
17



IMG-341878

Remove the panel.

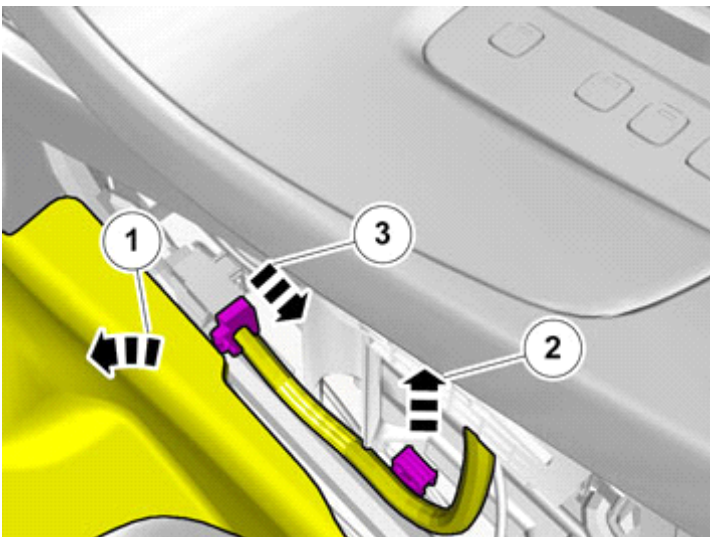
18



IMG-346036

Remove the panel.

19



IMG-340599

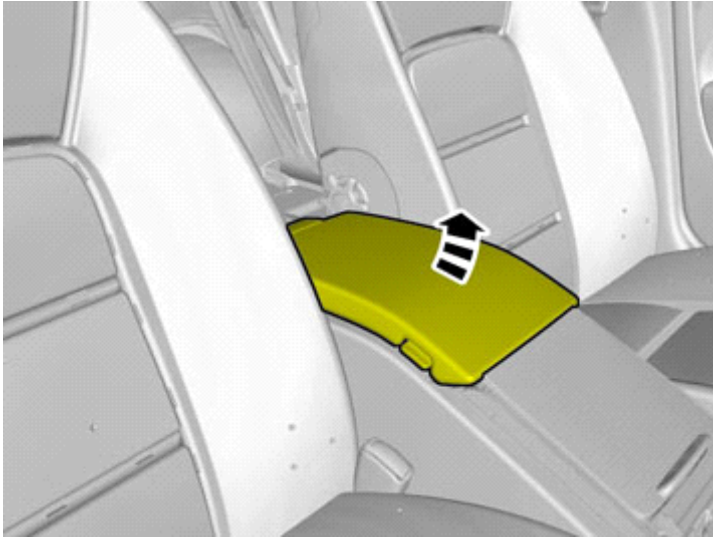
1. Fold the carpet to the side.
2. Unhook the clip(s).
3. Disconnect the connector.



Installation instructions, accessories

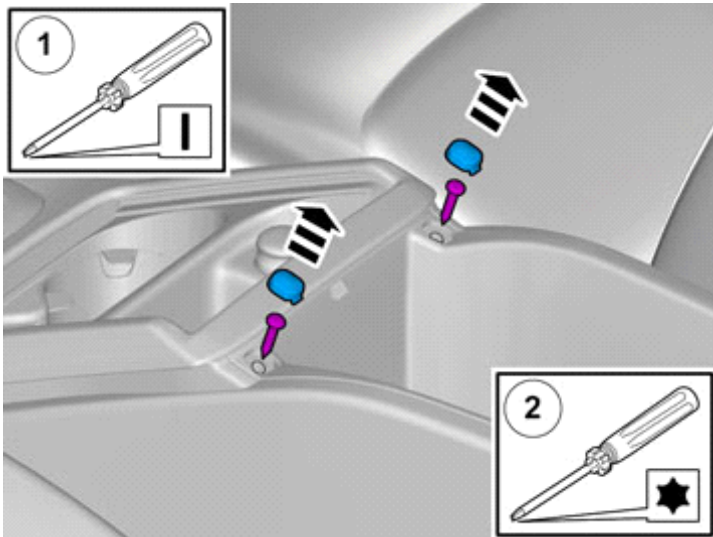
Volvo Car Corporation Gothenburg, Sweden

20



IMG-350000

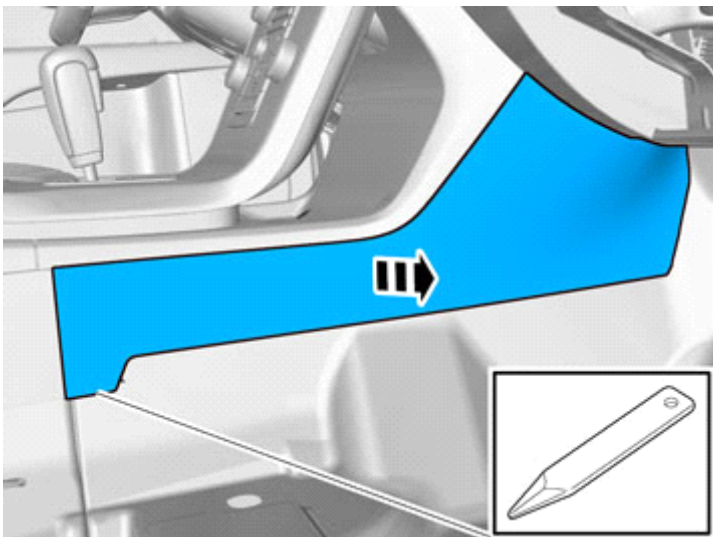
21



IMG-349811

Remove the screws.

22



IMG-347139

Remove the panel.

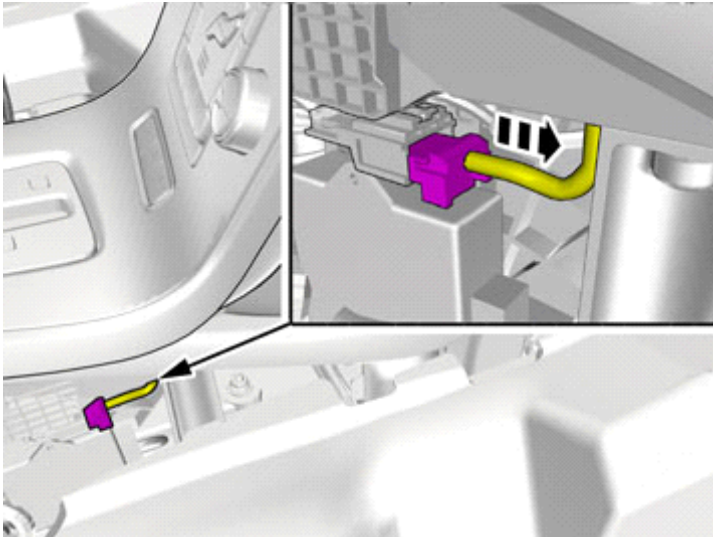


Installation instructions, accessories

Volvo Car Corporation Gothenburg, Sweden

Vehicles with the 4C system.

23

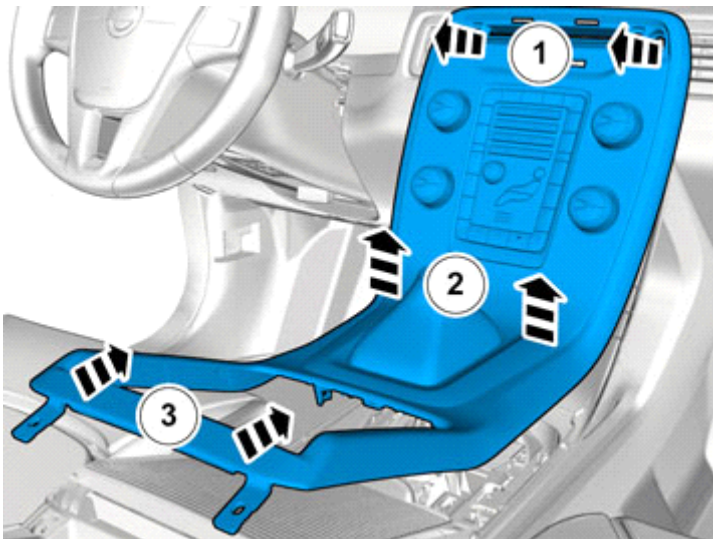


IMG-345317

Disconnect the connector.

All vehicles

24



IMG-349826

Caution!

Be careful not to damage the catches.

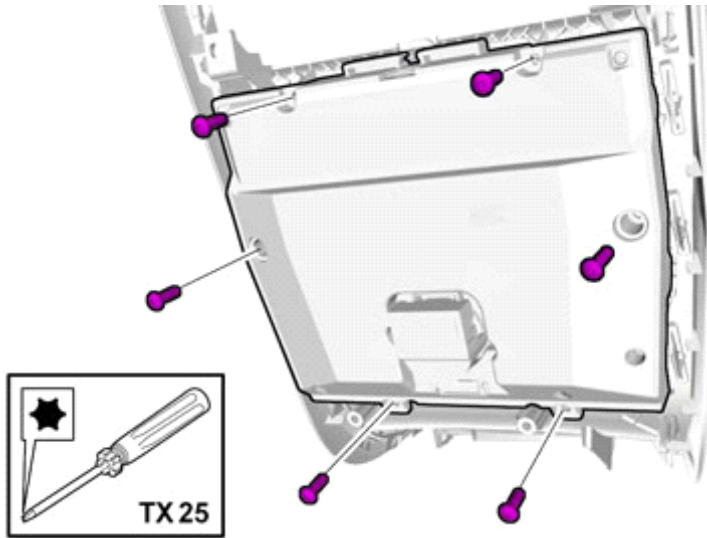
Remove the panel.



Installation instructions, accessories

Volvo Car Corporation Gothenburg, Sweden

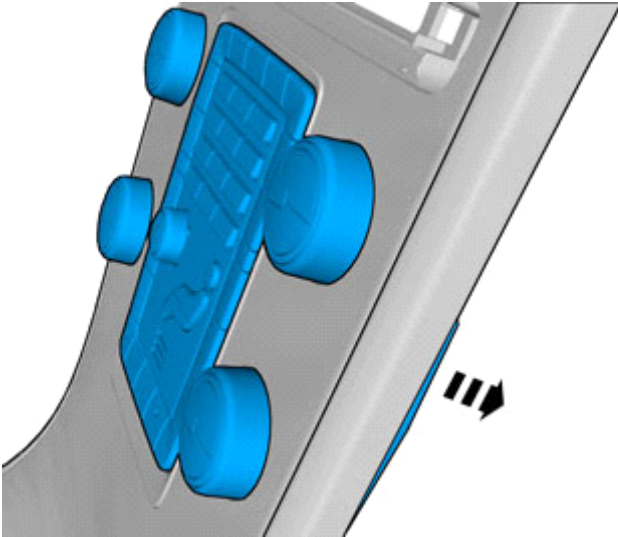
25



IMG-340605

Remove the screws.

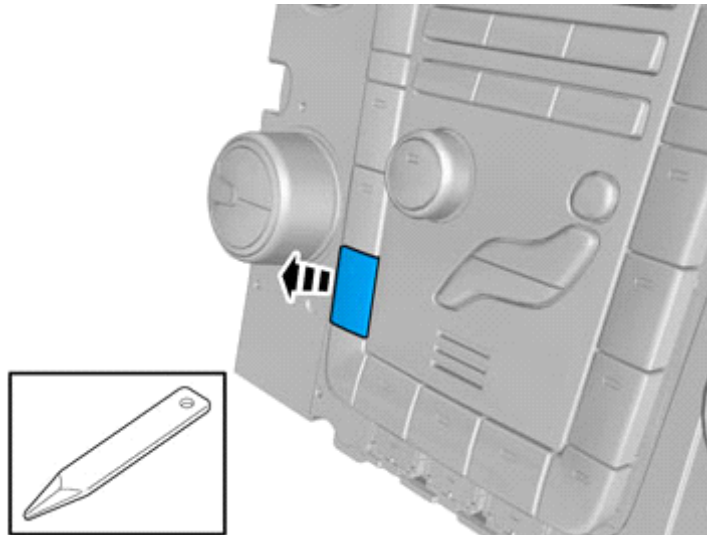
26



IMG-345296

Detach the panel.

27



IMG-380815

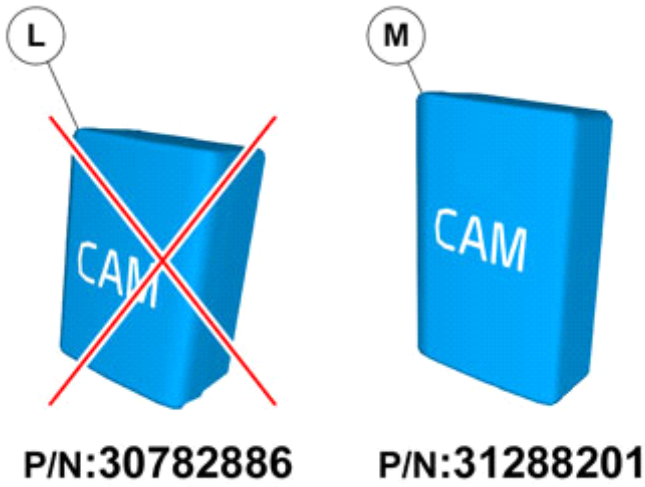


Installation instructions, accessories

Volvo Car Corporation Gothenburg, Sweden

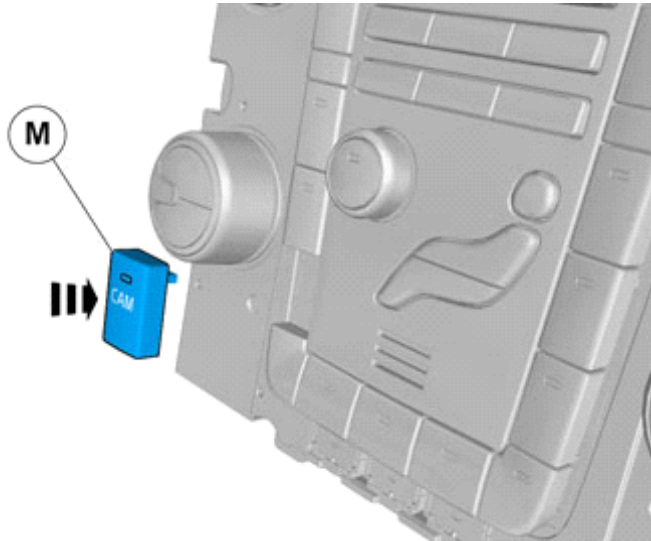
Accessory installation

28



IMG-380819

29



IMG-380816

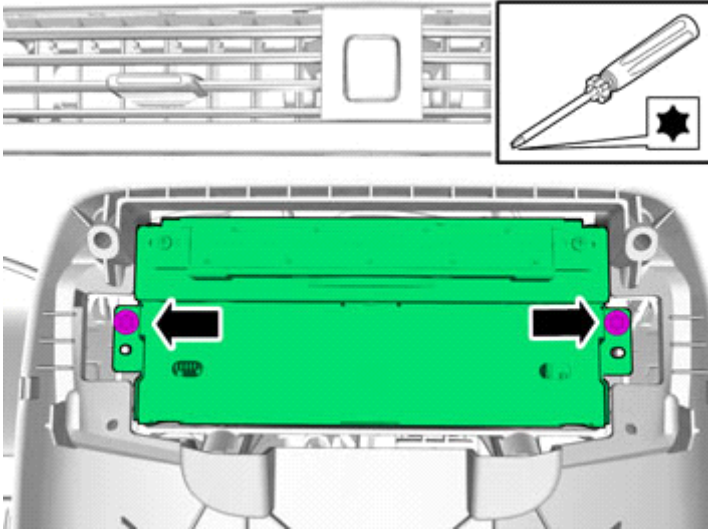
Removal



Installation instructions, accessories

Volvo Car Corporation Gothenburg, Sweden

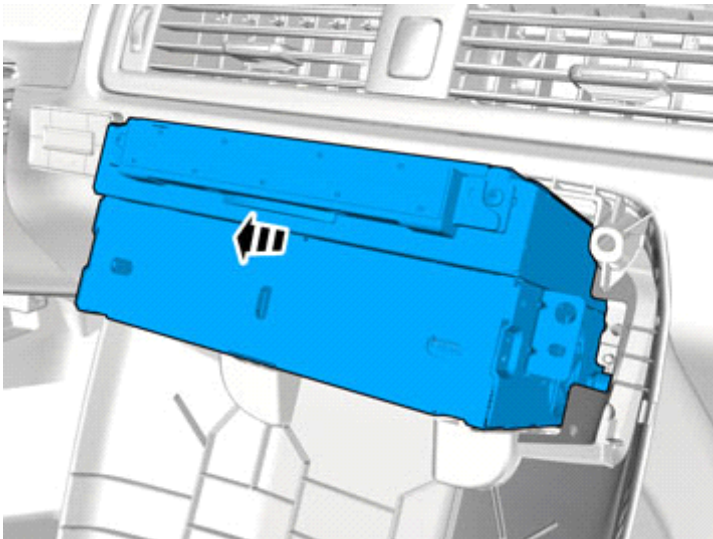
30



IMG-349942

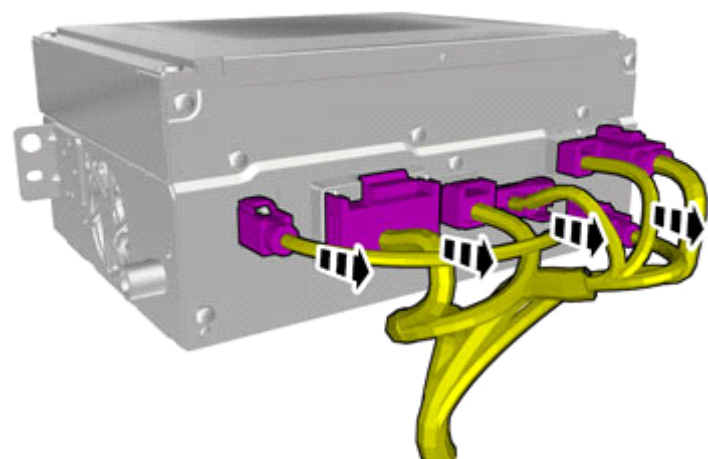
Remove the screws.

31



IMG-349946

32



IMG-353492

Caution!

The number of connectors can vary depending on the vehicle's equipment level.

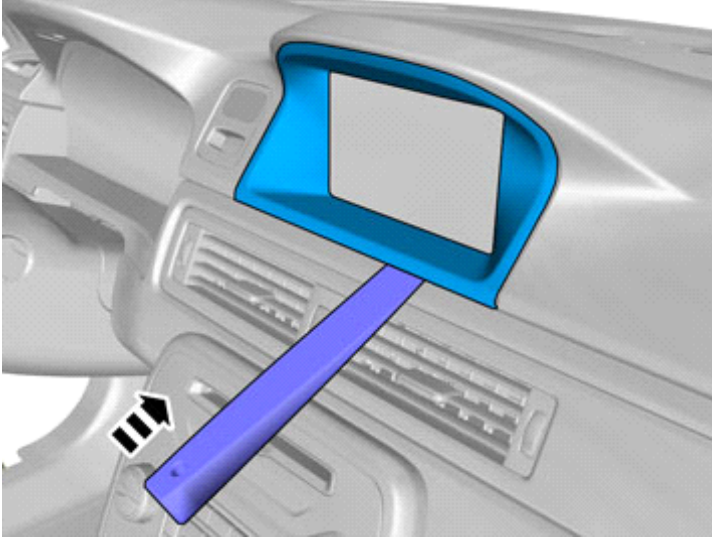
Disconnect the connectors.



Installation instructions, accessories

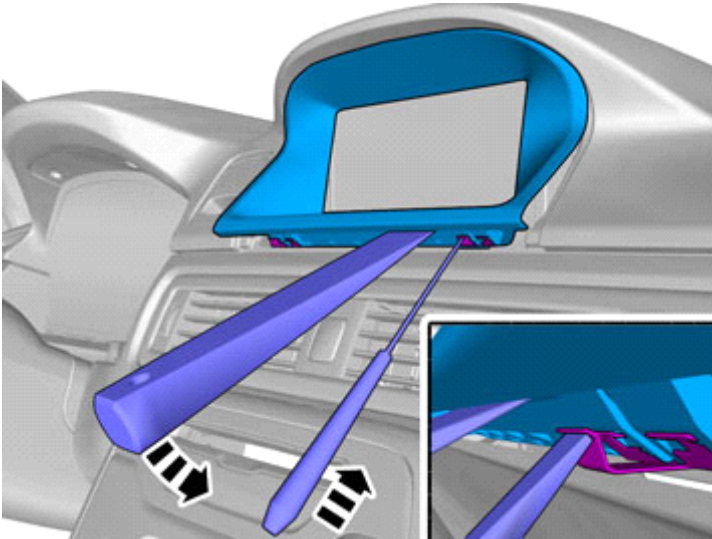
Volvo Car Corporation Gothenburg, Sweden

33



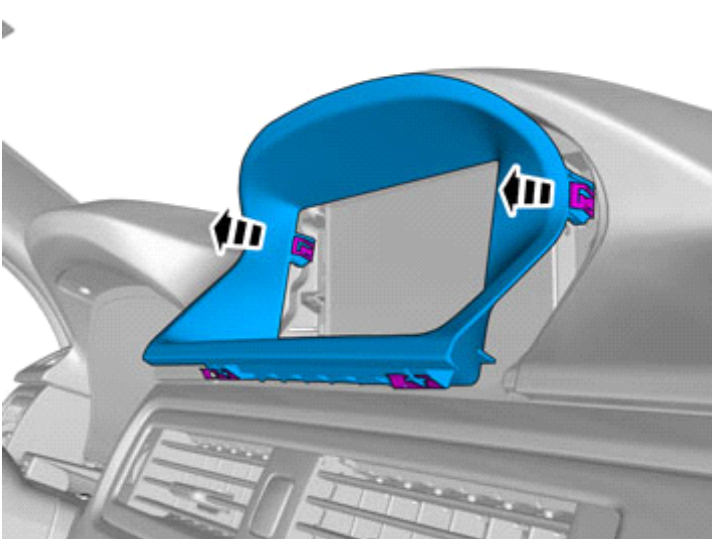
IMG-354616

34



IMG-354618

35



IMG-354649

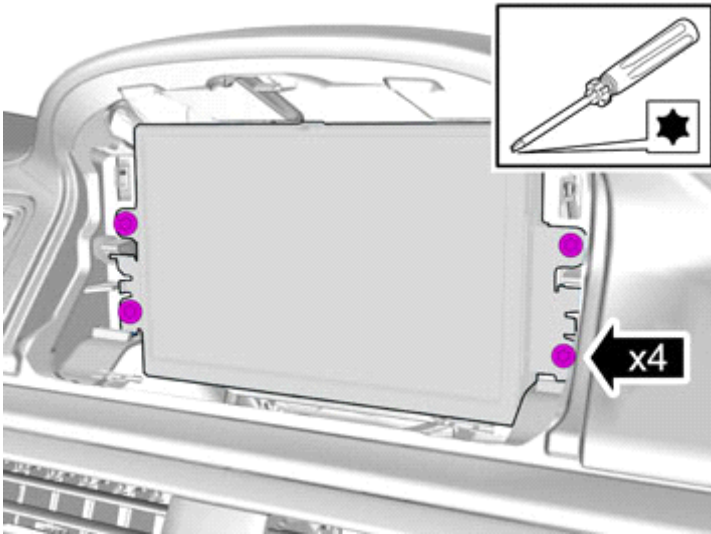
Remove the panel.



Installation instructions, accessories

Volvo Car Corporation Gothenburg, Sweden

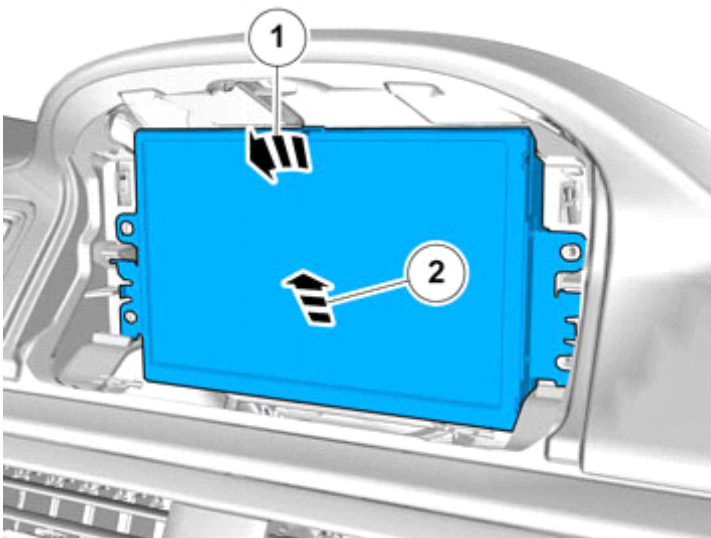
36



IMG-370585

Remove the screws.

37



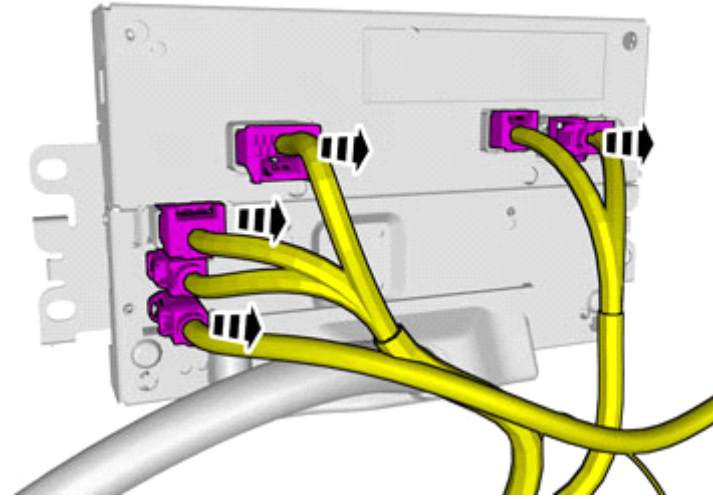
IMG-370584



Installation instructions, accessories

Volvo Car Corporation Gothenburg, Sweden

38



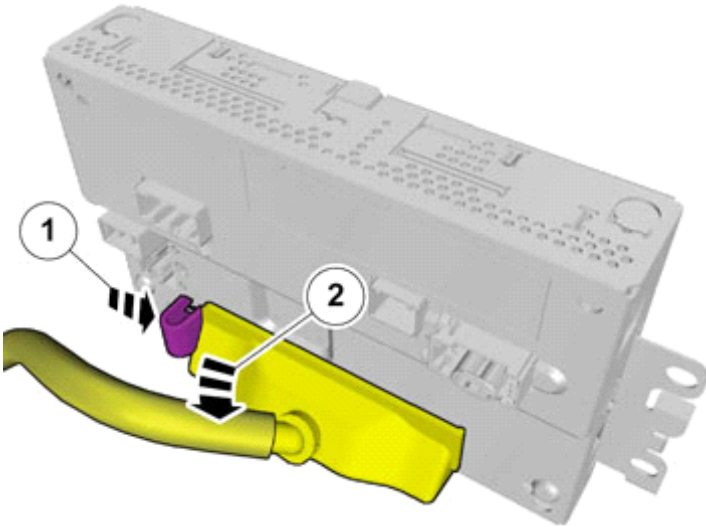
IMG-349901

Caution!

The number of connectors can vary depending on the vehicle's equipment level.

Disconnect the connectors.

39



IMG-349903

40



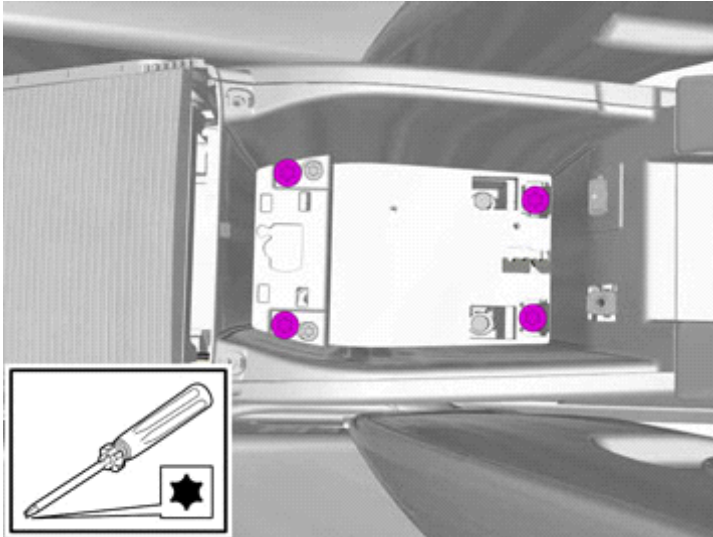
IMG-353512



Installation instructions, accessories

Volvo Car Corporation Gothenburg, Sweden

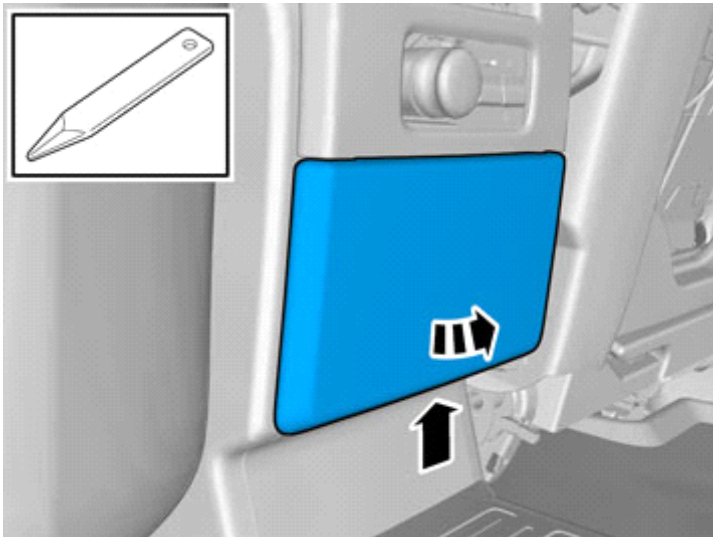
41



IMG-353511

Remove the screws.

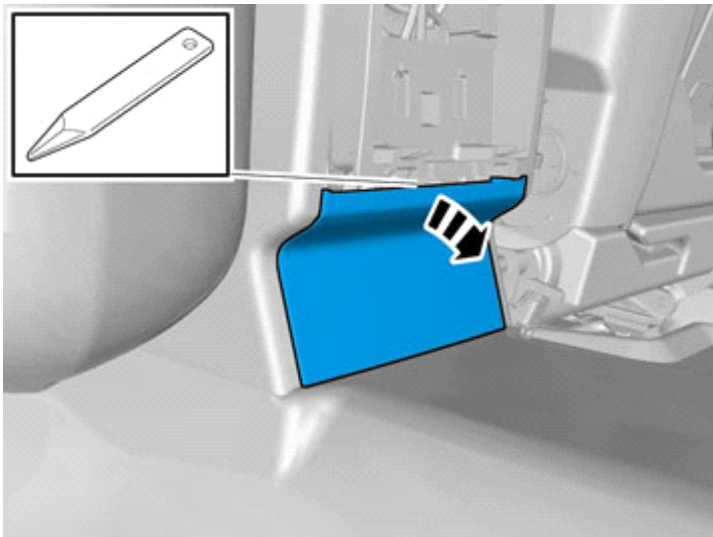
42



IMG-349993

Remove the panel.

43



IMG-350006

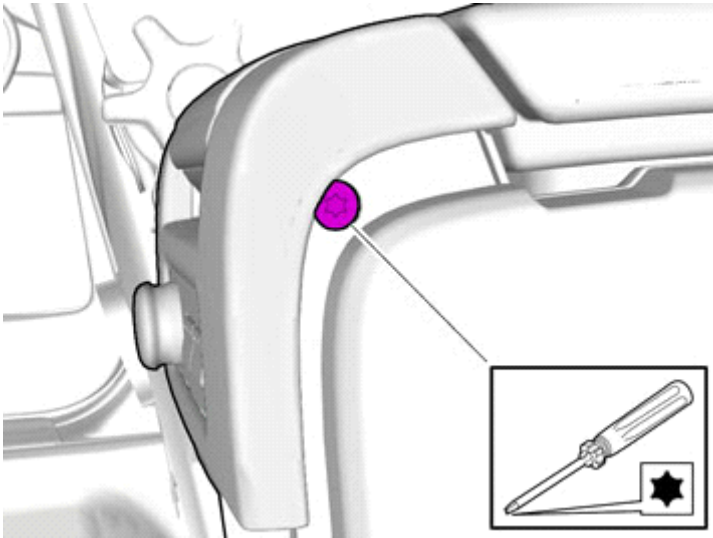
Remove the panel.



Installation instructions, accessories

Volvo Car Corporation Gothenburg, Sweden

44

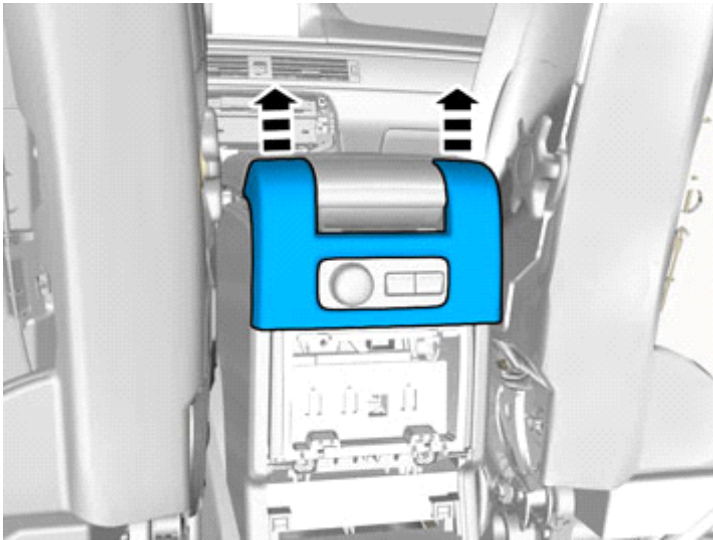


IMG-352301

Remove the screws.

On both sides.

45



IMG-352271

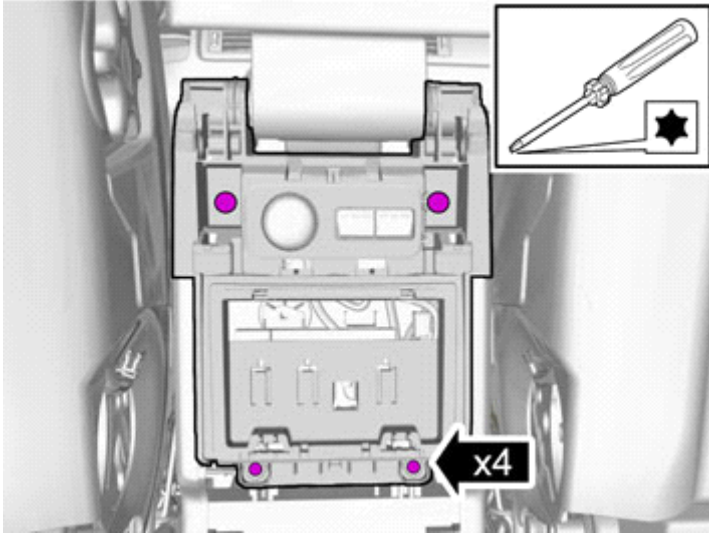
Remove the panel.



Installation instructions, accessories

Volvo Car Corporation Gothenburg, Sweden

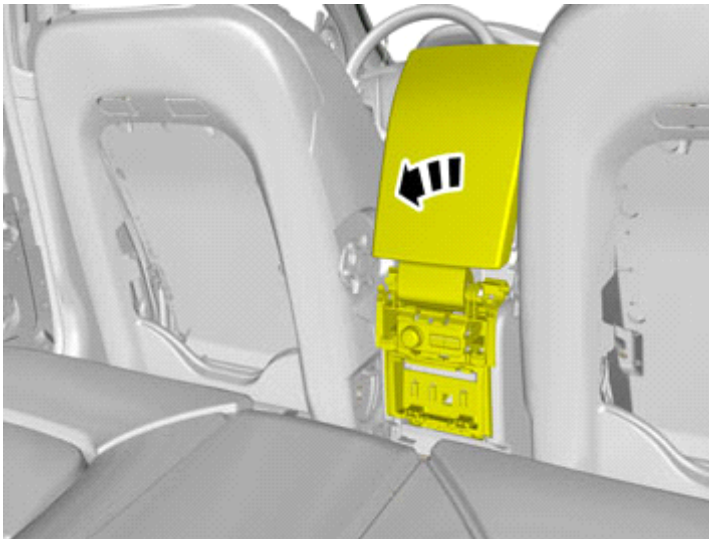
46



IMG-350026

Remove the screws.

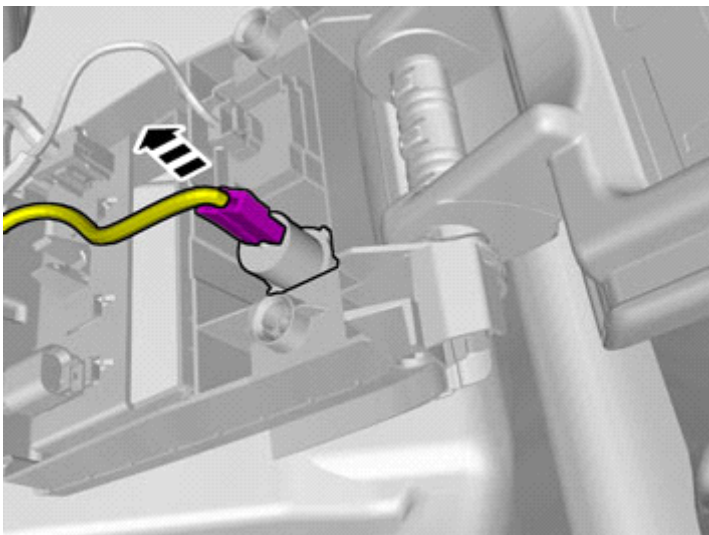
47



IMG-349999

Detach the panel.

48



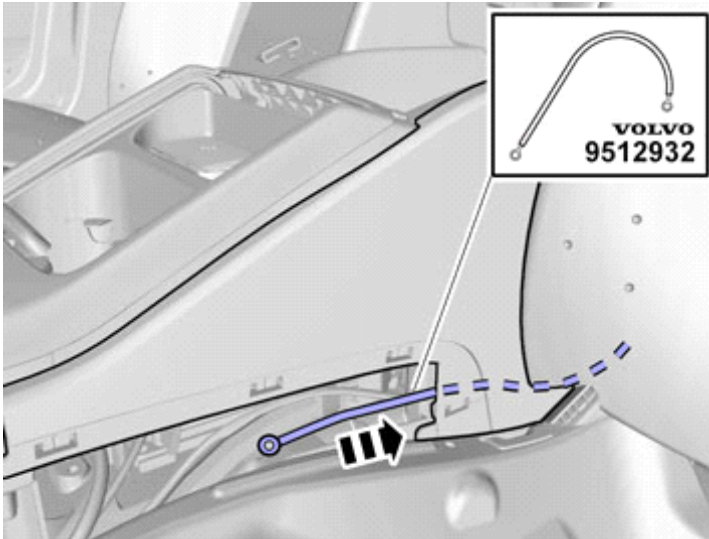
IMG-349992

Disconnect the connector.



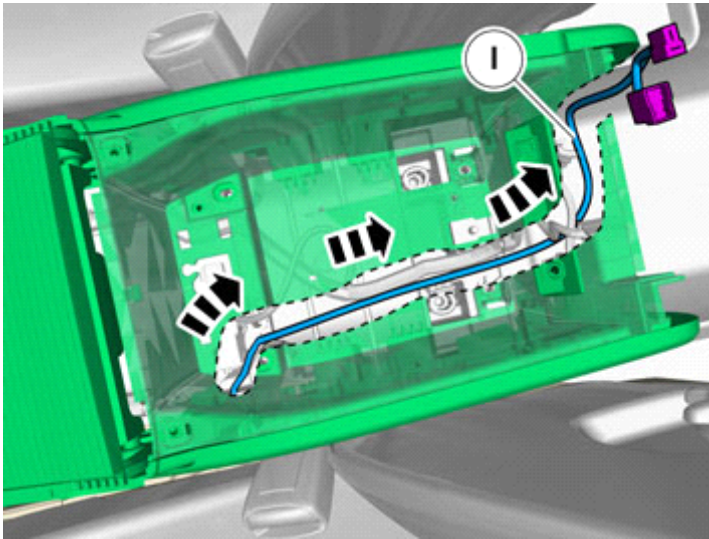
Accessory installation

49



IMG-350072

50



IMG-355161

Caution!

Make sure that no part of the wiring harness is trapped.

Facilitate cable routing by temporarily raising the floor bracket using a socket or similar.

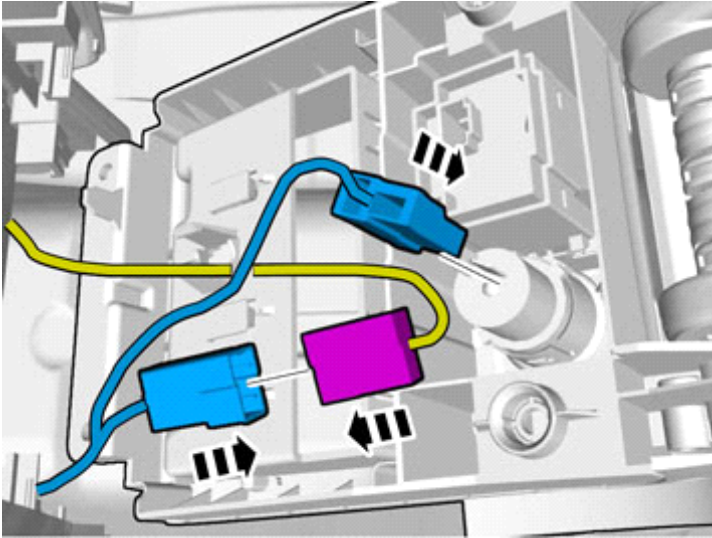
Pull the wiring through.



Installation instructions, accessories

Volvo Car Corporation Gothenburg, Sweden

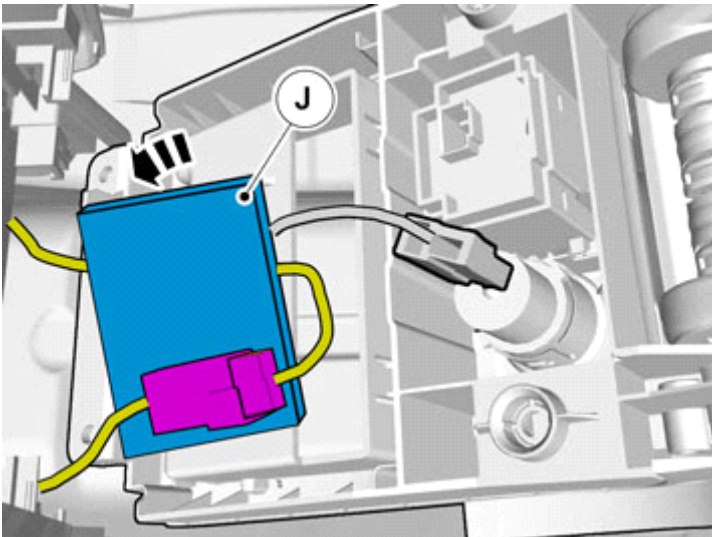
51



IMG-355174

Connect the connectors.

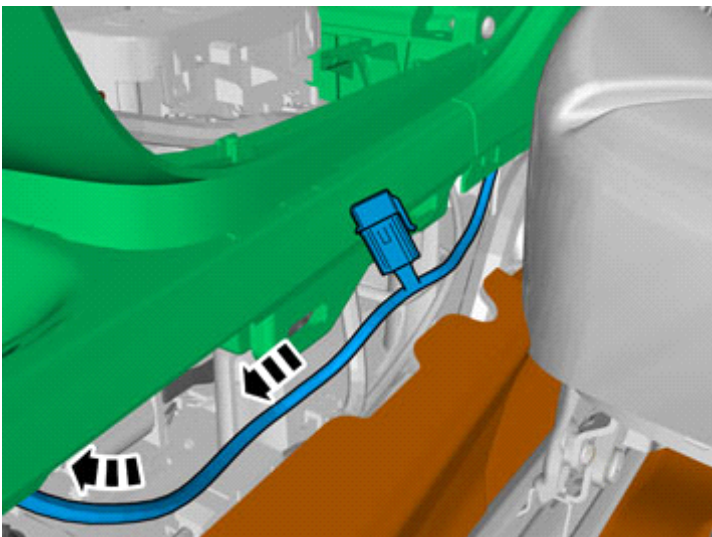
52



IMG-355175

Tear off the excess foam tape.

53



IMG-355200

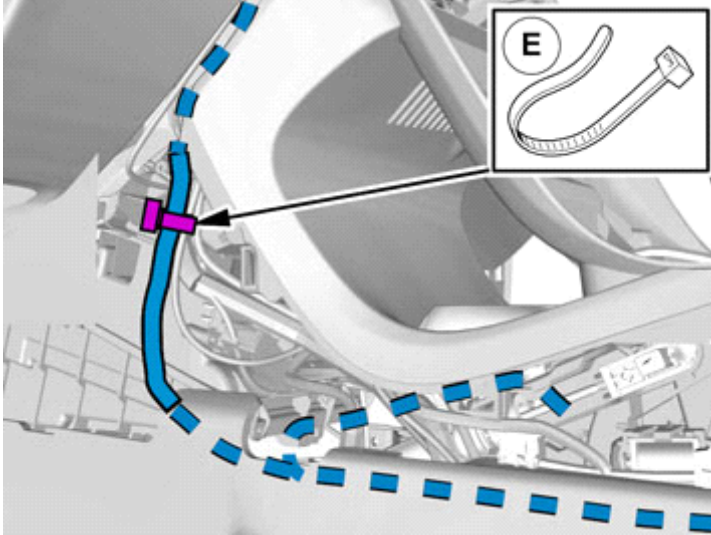
Route the cable harness to the existing cable harness.



Installation instructions, accessories

Volvo Car Corporation Gothenburg, Sweden

54



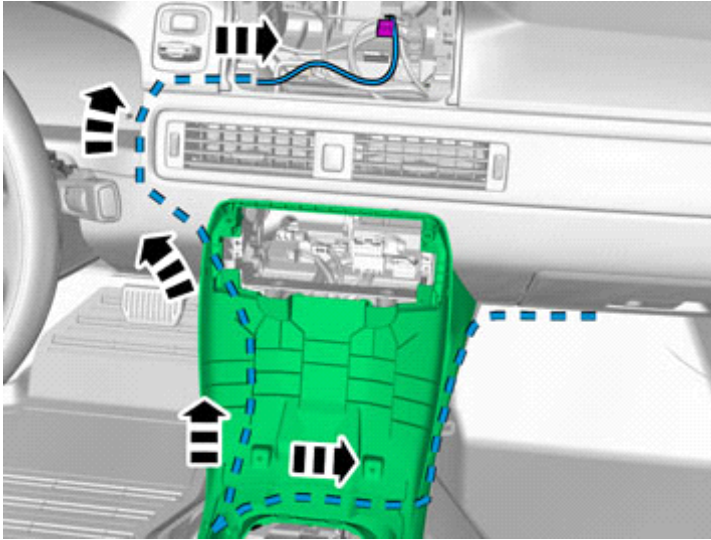
IMG-345857

Route the cable harness to the existing cable harness.

Pull the wiring through.

Install the cable.

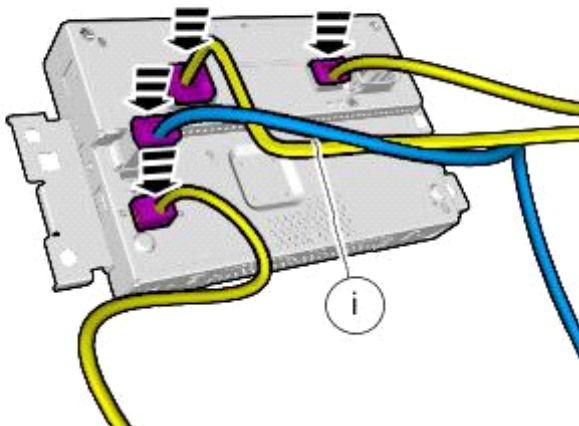
55



IMG-355206

56

Connect the connectors.



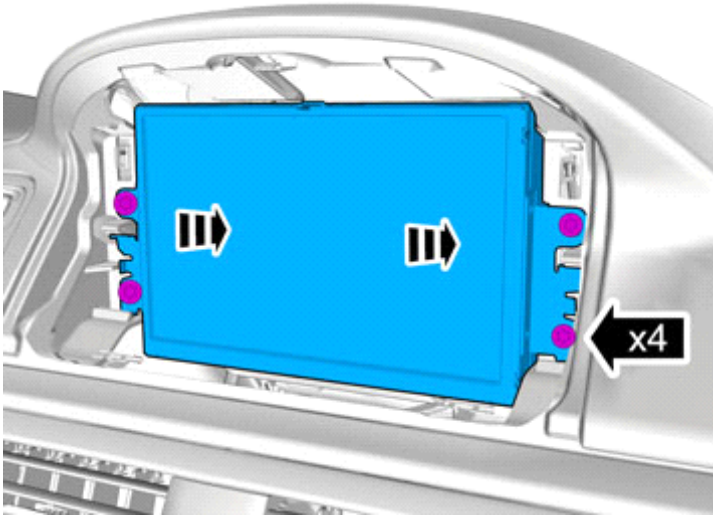
IMG-345863



Installation instructions, accessories

Volvo Car Corporation Gothenburg, Sweden

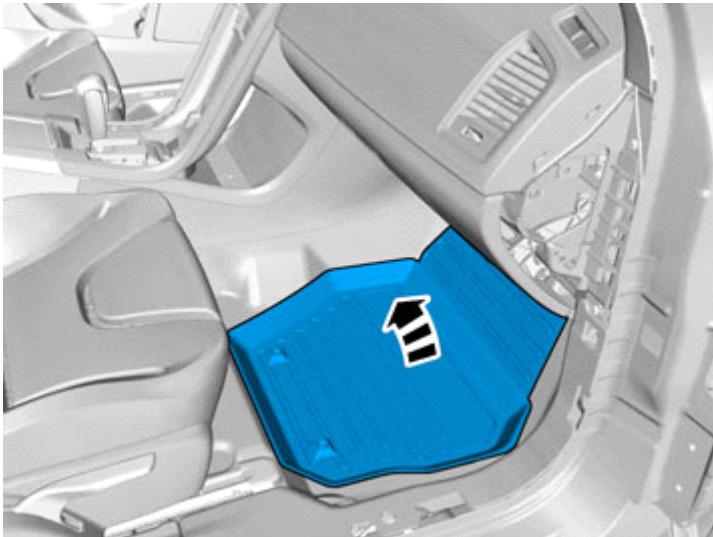
57



IMG-349904

Removal

58



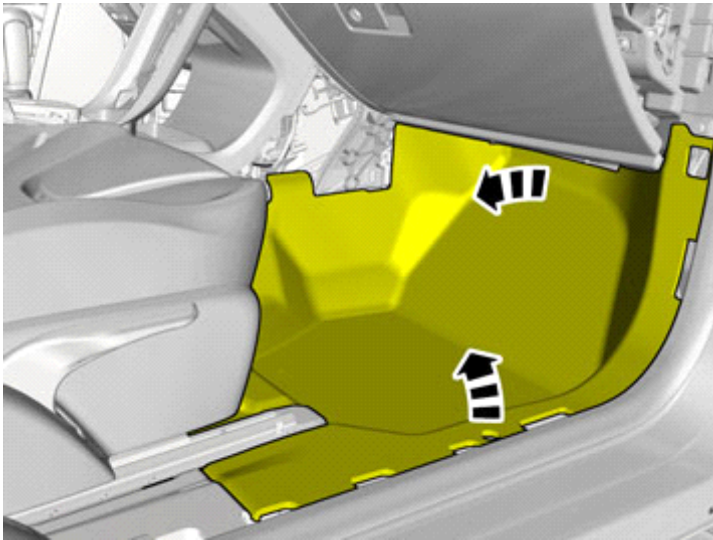
IMG-352186



Installation instructions, accessories

Volvo Car Corporation Gothenburg, Sweden

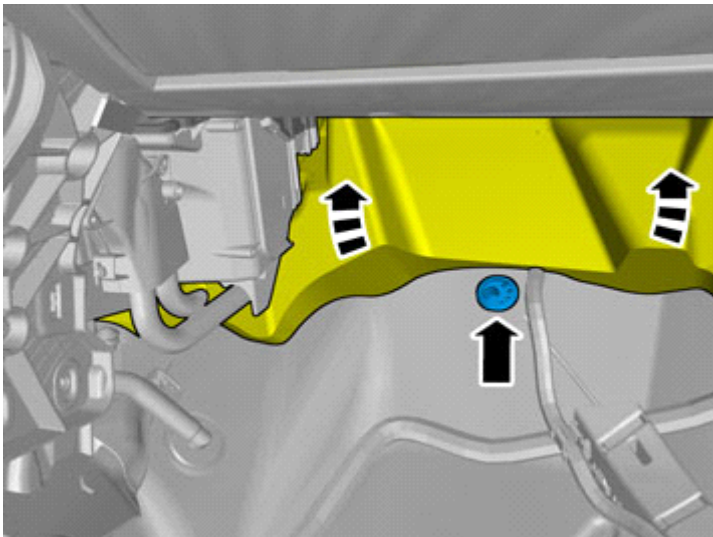
59



IMG-352187

Fold the carpet to the side.

60



IMG-353339

Locate the rubber grommet under the insulation and press it out.

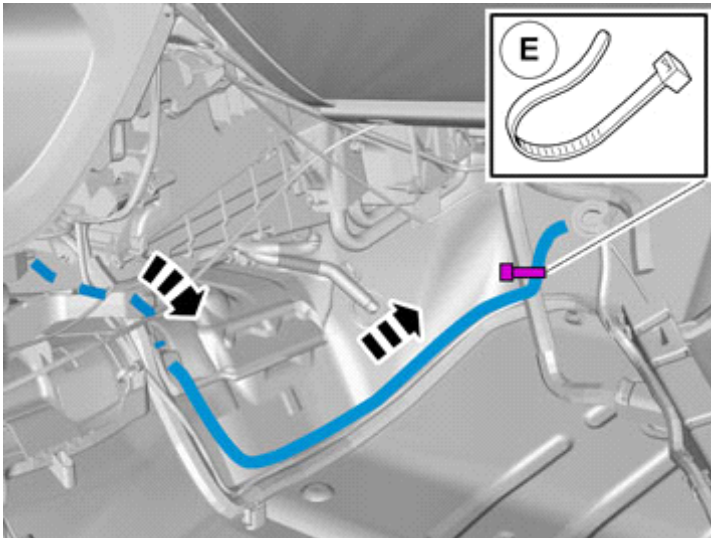
Accessory installation



Installation instructions, accessories

Volvo Car Corporation Gothenburg, Sweden

61



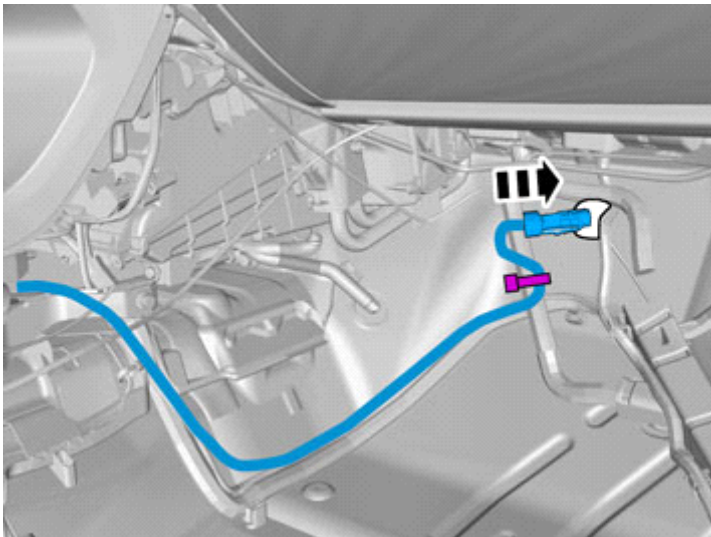
IMG-345859

Note!

Do not yet tighten the clamps.

Route the cable harness to the existing cable harness.

62



IMG-345860

Pull the wiring through.

Installation

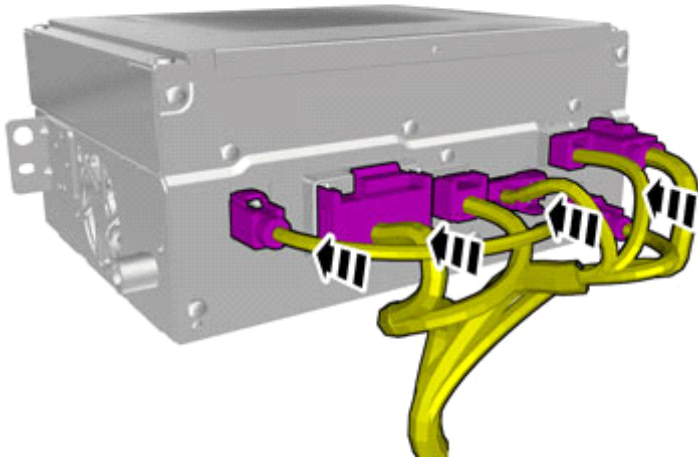


Installation instructions, accessories

Volvo Car Corporation Gothenburg, Sweden

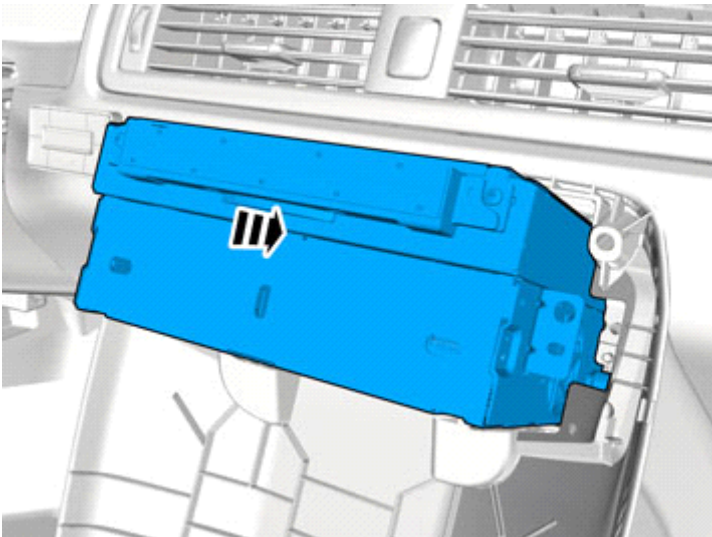
63

Connect the connectors.



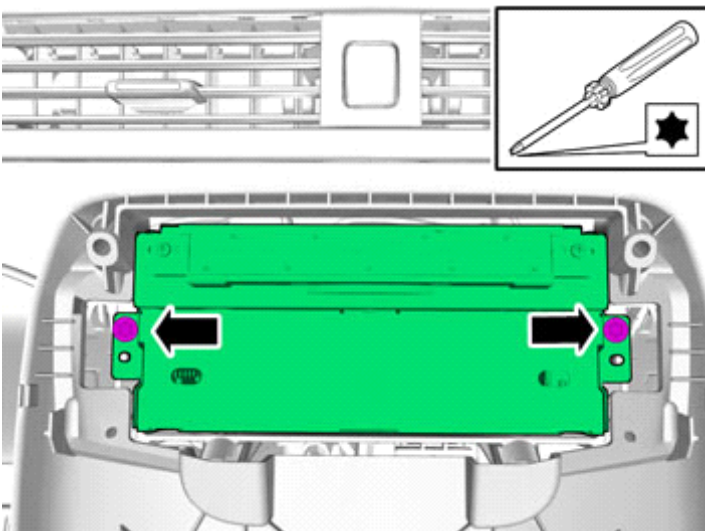
IMG-353491

64



IMG-349948

65



Install the screws.

IMG-349942

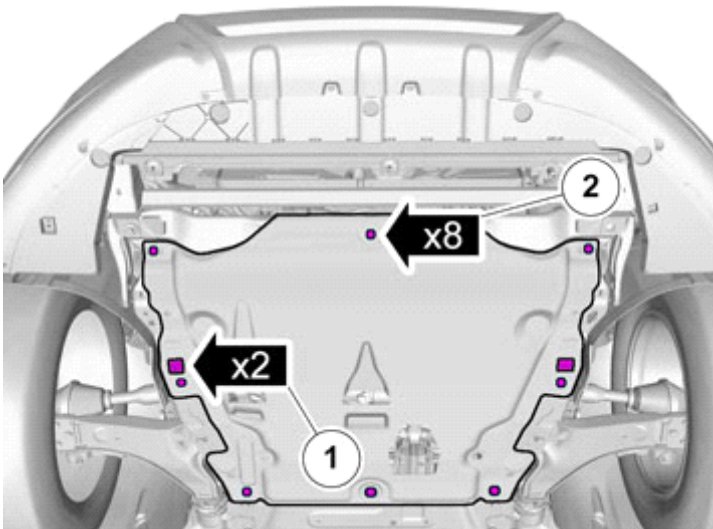


Installation instructions, accessories

Volvo Car Corporation Gothenburg, Sweden

Removal

66

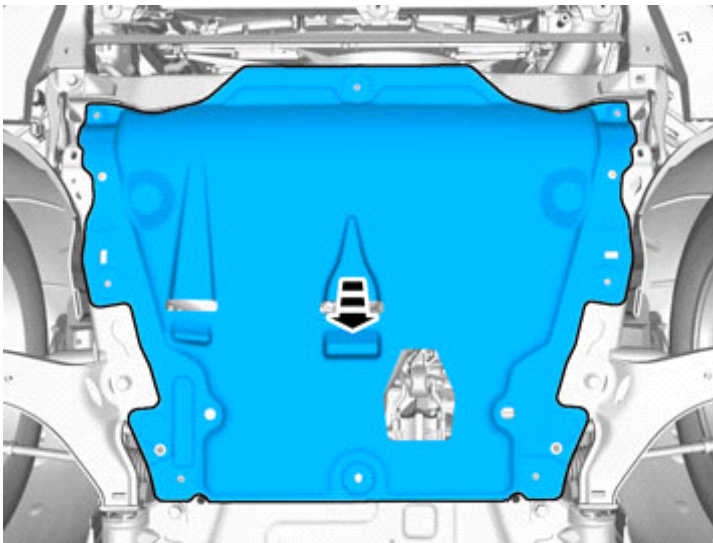


IMG-345877

Remove the screws.

Remove the clips.

67



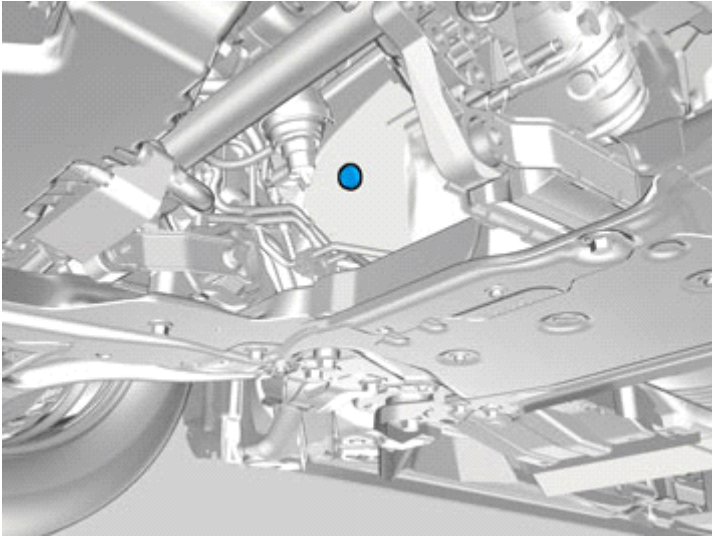
IMG-345878



Installation instructions, accessories

Volvo Car Corporation Gothenburg, Sweden

68



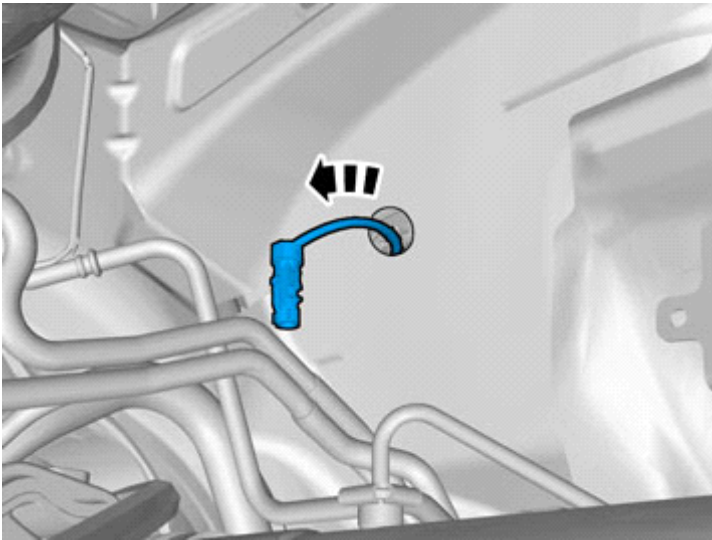
IMG-345879

Note!

On some markets the rubber grommet may be covered by the heat shield.

Accessory installation

69



IMG-345880

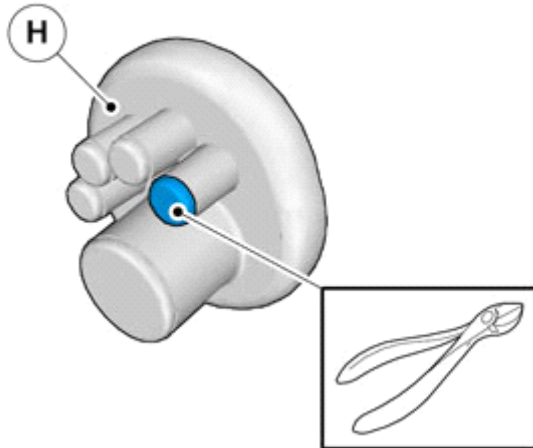
Pull the wiring through.



Installation instructions, accessories

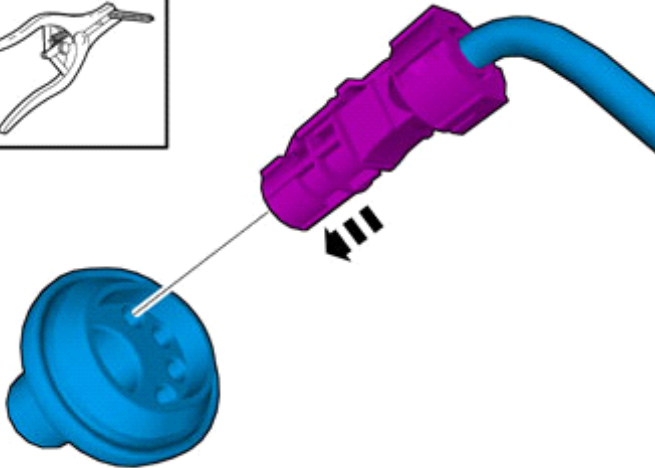
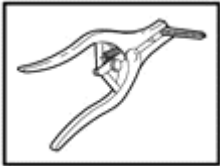
Volvo Car Corporation Gothenburg, Sweden

70



IMG-345881

71



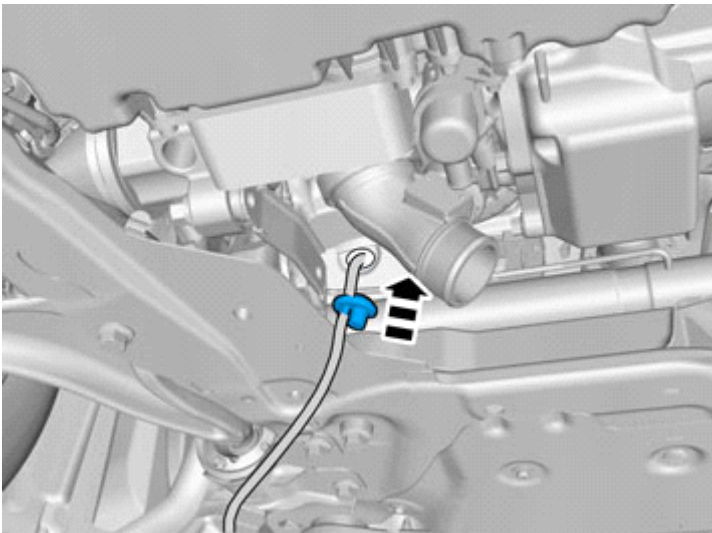
Caution!

Take extra care when handling the component.

Use: 1161427, Low temperature grease

IMG-353681

72

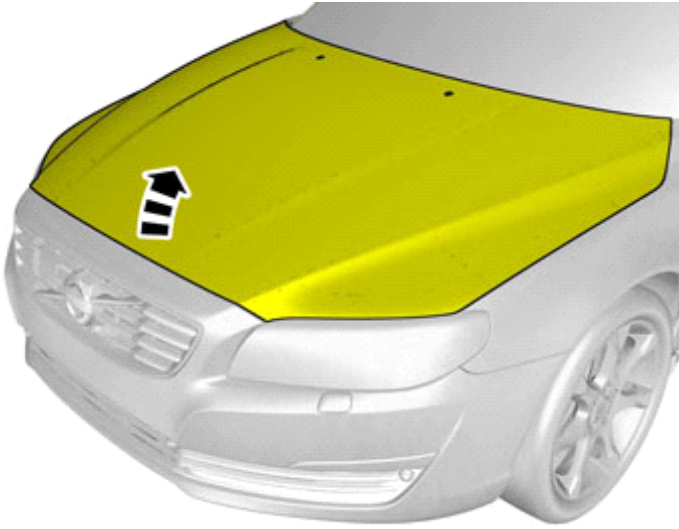


IMG-345883



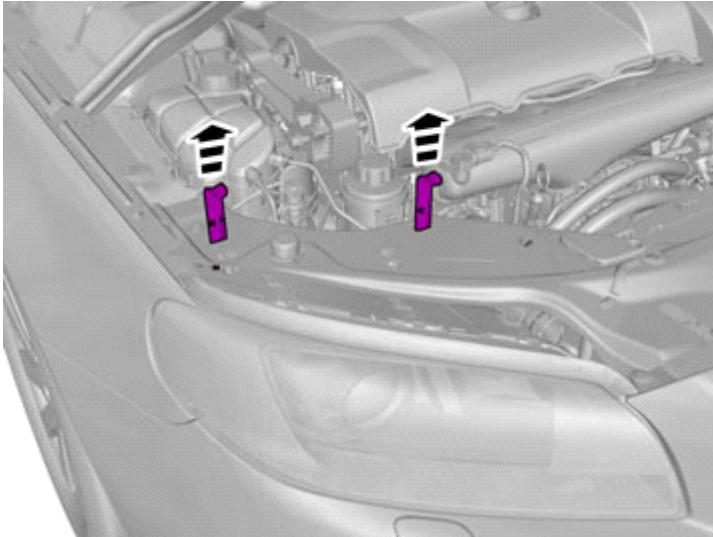
Removal

73



IMG-373507

74



IMG-353377

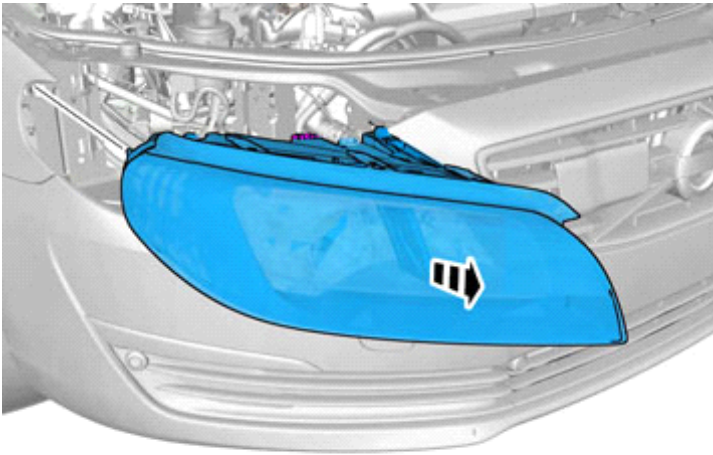
Release the catches.



Installation instructions, accessories

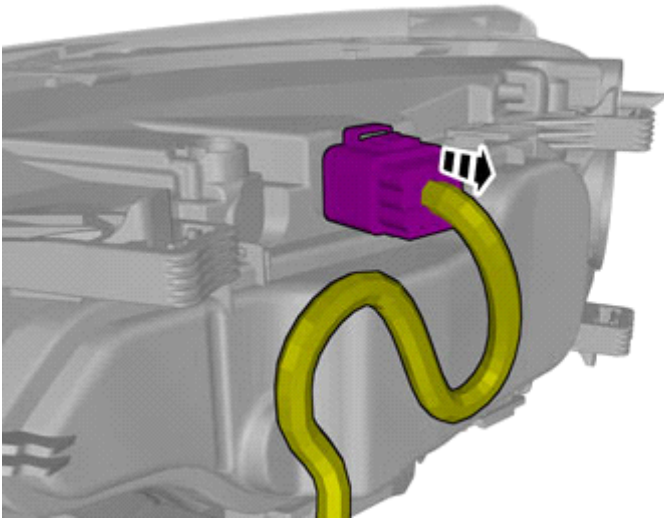
Volvo Car Corporation Gothenburg, Sweden

75



IMG-373508

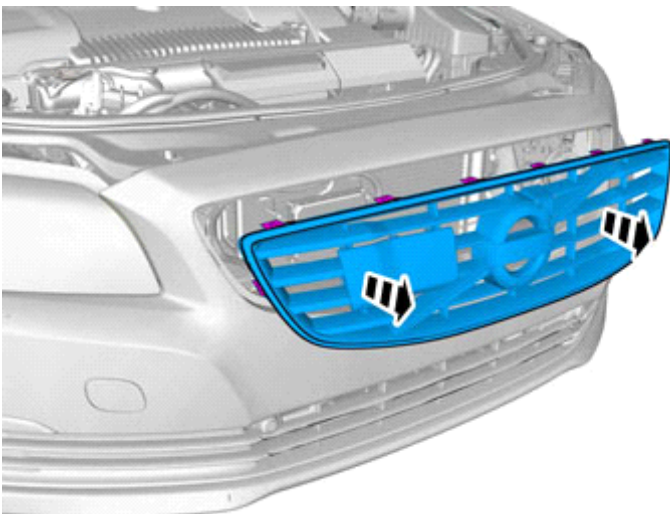
76



IMG-353381

Disconnect the connector.

77



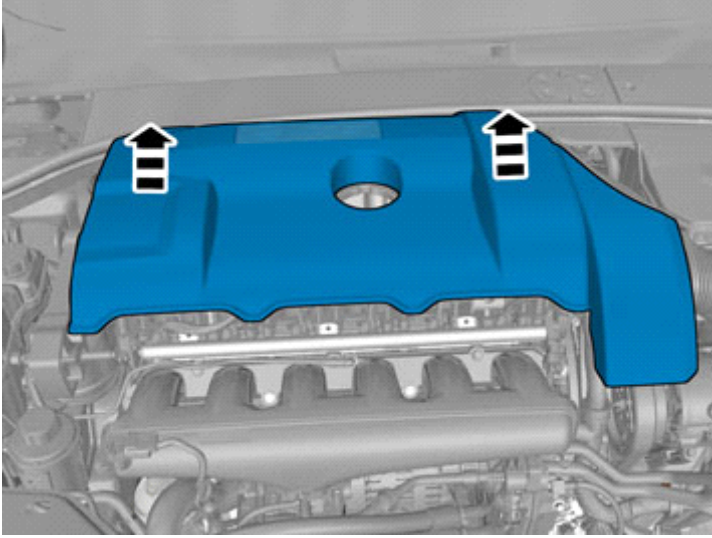
IMG-373509



Installation instructions, accessories

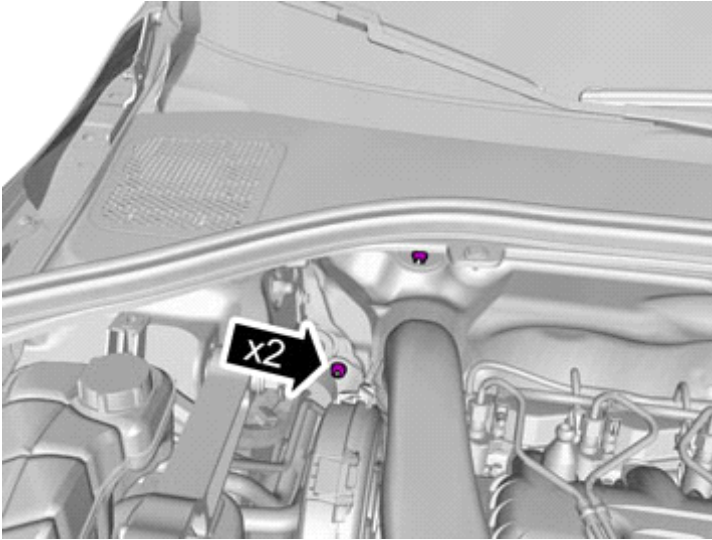
Volvo Car Corporation Gothenburg, Sweden

78



IMG-273585

79



IMG-340533

Remove the nuts.

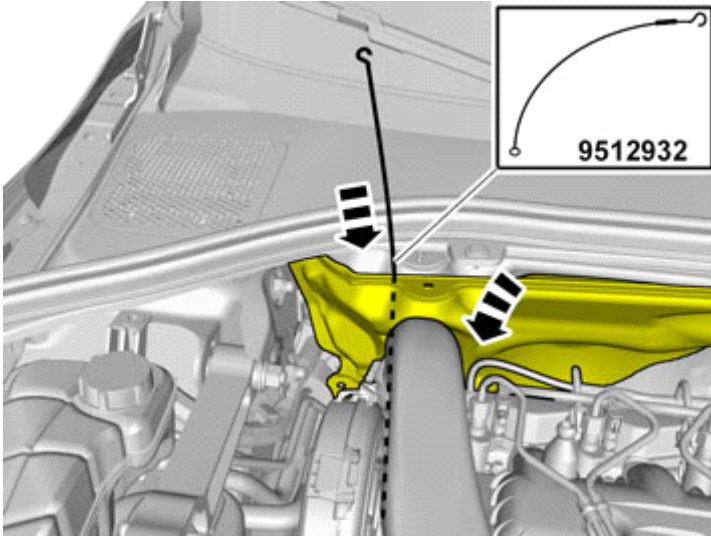
Accessory installation



Installation instructions, accessories

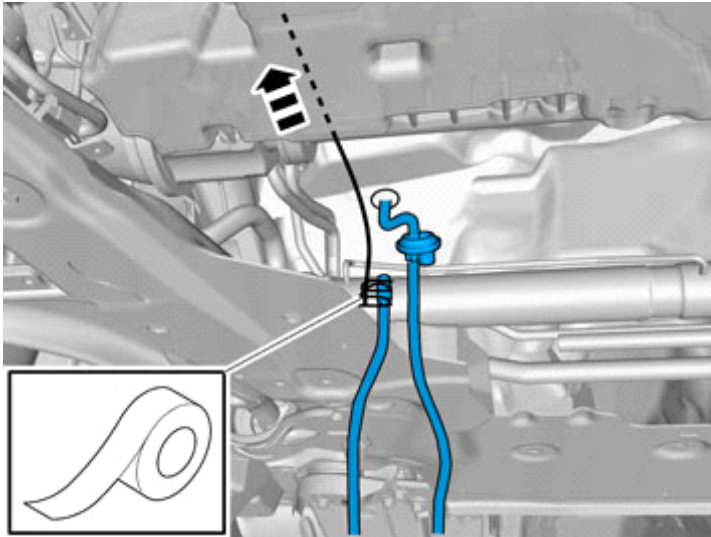
Volvo Car Corporation Gothenburg, Sweden

80



IMG-340606

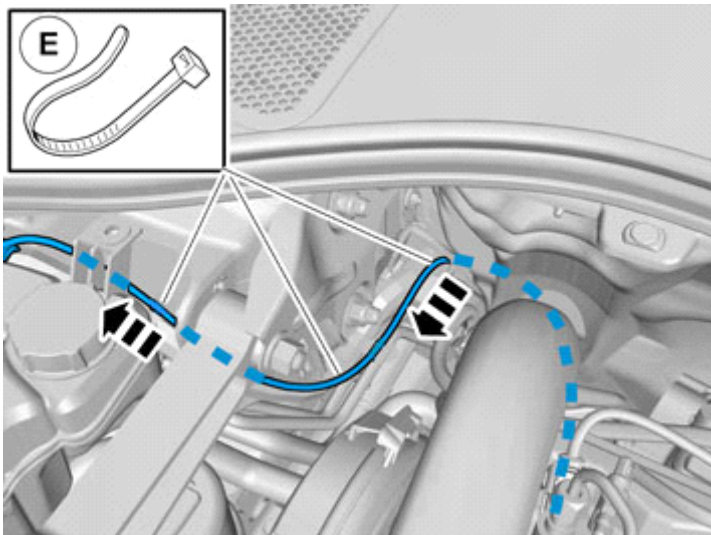
81



IMG-345884

Pull the wiring through.

82



IMG-345885

Caution!

Make sure to locate the wiring in such a way that any damage caused by heat or excessive wear is avoided.

Note!

Do not yet tighten the clamps.

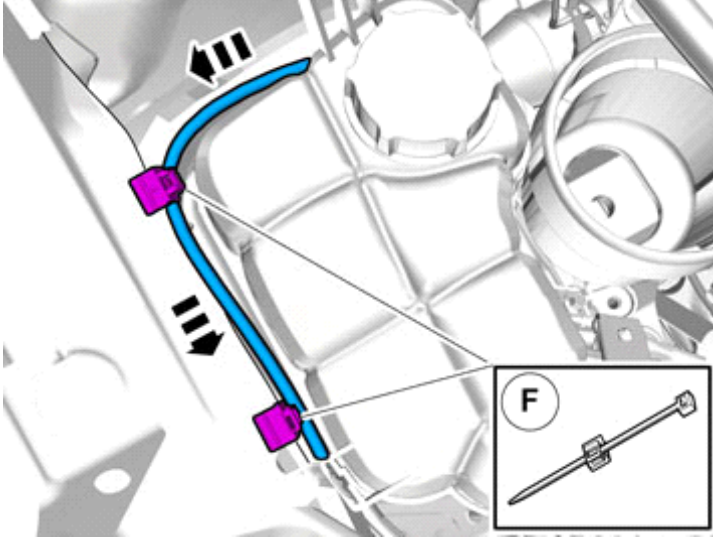
Route the cable harness to the existing cable harness.



Installation instructions, accessories

Volvo Car Corporation Gothenburg, Sweden

83

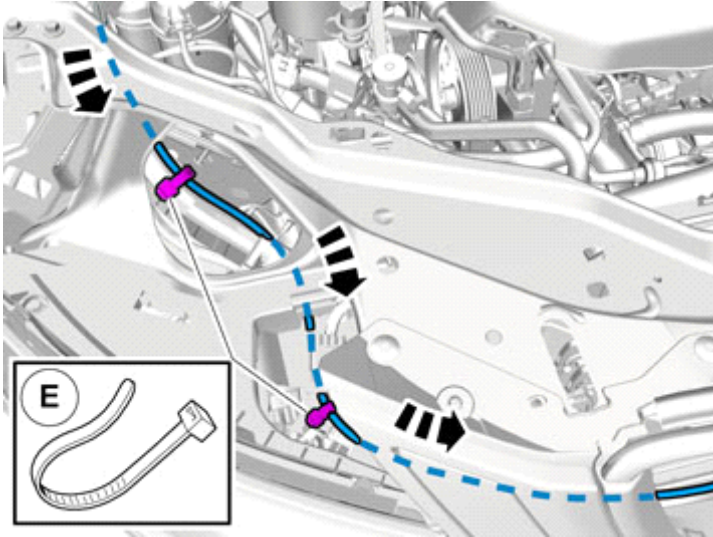


IMG-345886

Note!

Do not yet tighten the clamps.

84



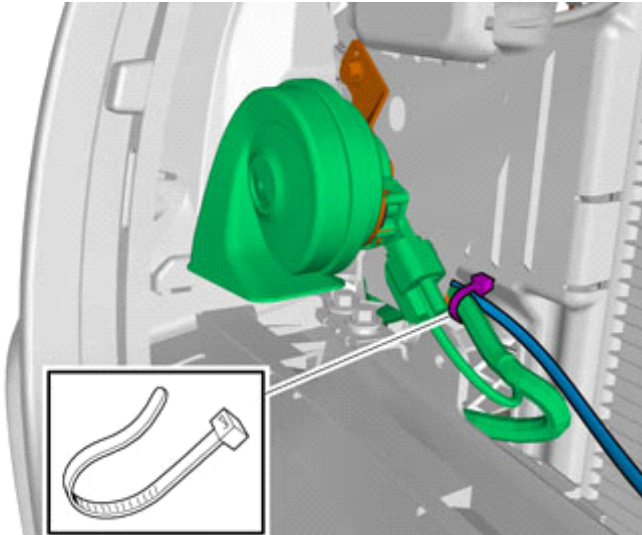
IMG-345887

Note!

Do not yet tighten the clamps.

Route the cable harness to the existing cable harness.

85



IMG-353446

Note!

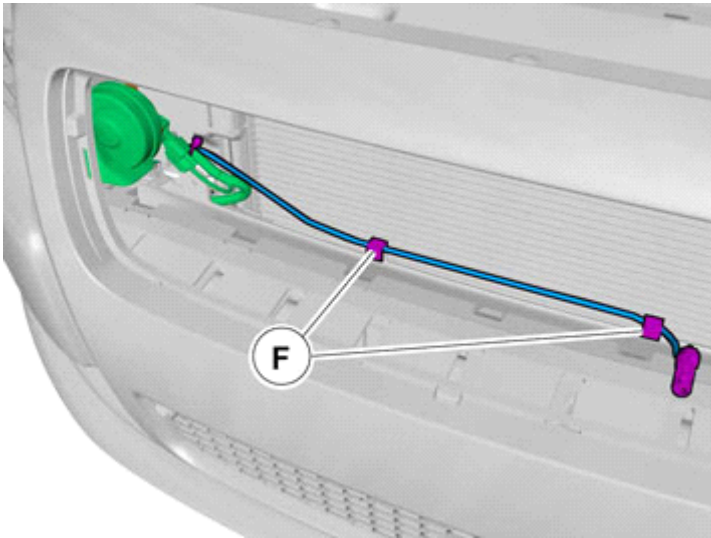
Do not yet tighten the clamps.



Installation instructions, accessories

Volvo Car Corporation Gothenburg, Sweden

86

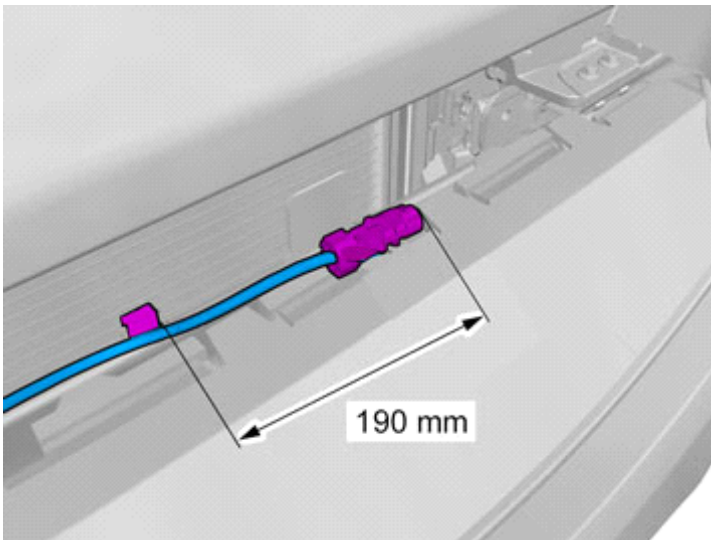


IMG-353447

Note!

Do not yet tighten the clamps.

87



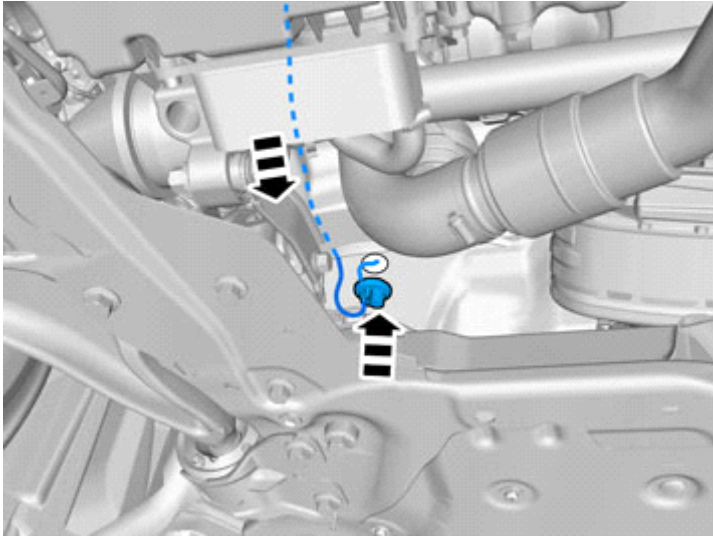
IMG-345889



Installation instructions, accessories

Volvo Car Corporation Gothenburg, Sweden

88



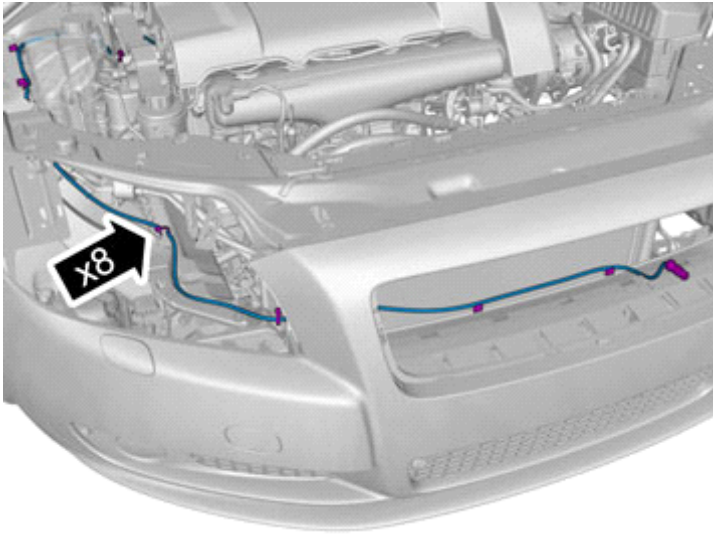
IMG-340544

Caution!

Make sure to locate the wiring in such a way that any damage caused by heat or excessive wear is avoided.

Insert the cable in to the passenger compartment, adjust the cable length out into the engine compartment and secure the rubber grommet.

89



IMG-354476

Caution!

Tighten clamps properly.

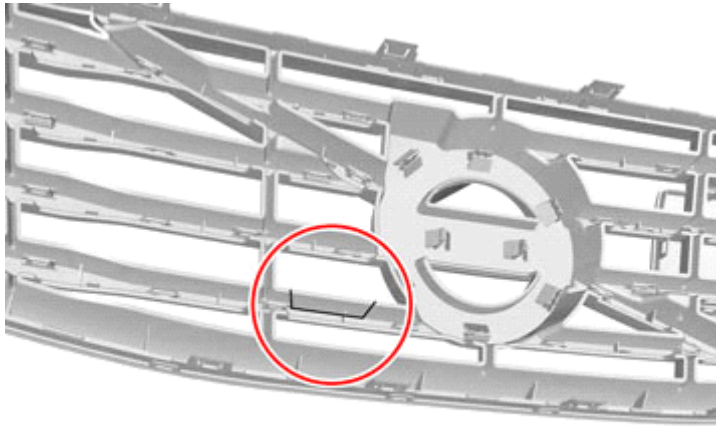
Removal



Installation instructions, accessories

Volvo Car Corporation Gothenburg, Sweden

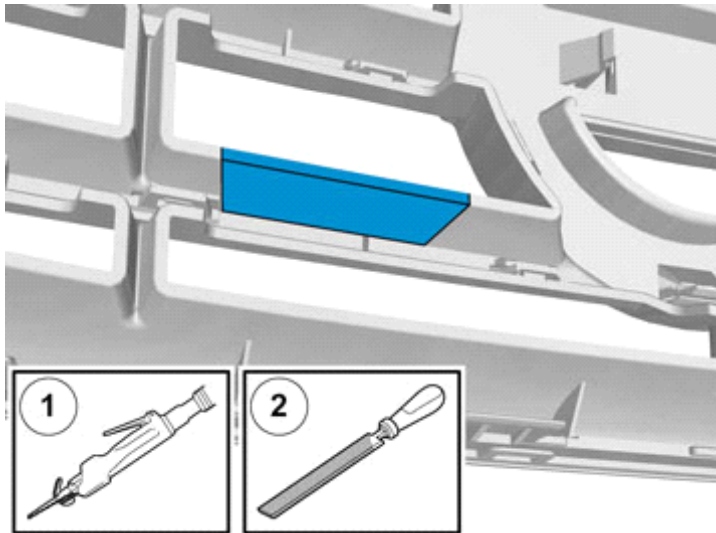
90



Note!
Orientation view

IMG-373510

91



Locate relevant marking.

IMG-373511

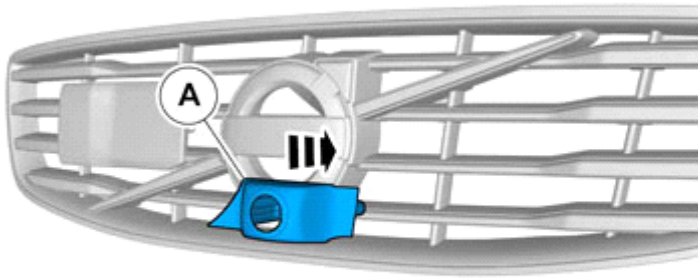
Accessory installation



Installation instructions, accessories

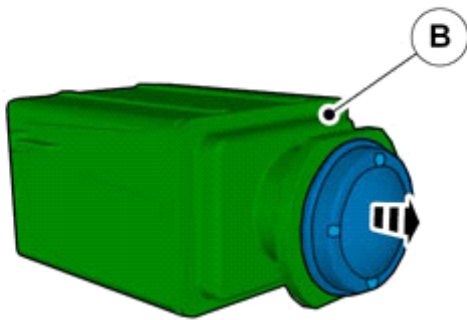
Volvo Car Corporation Gothenburg, Sweden

92



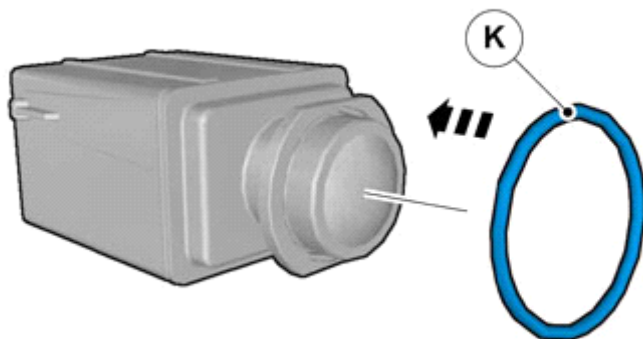
IMG-373512

93



IMG-347781

94



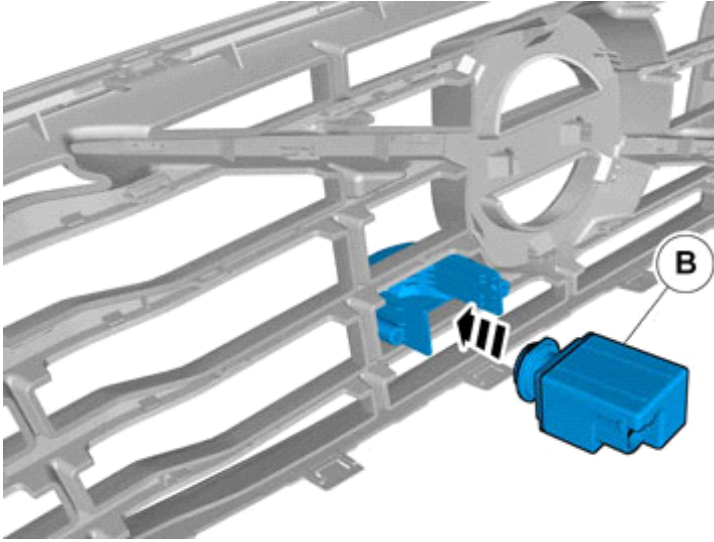
IMG-347786



Installation instructions, accessories

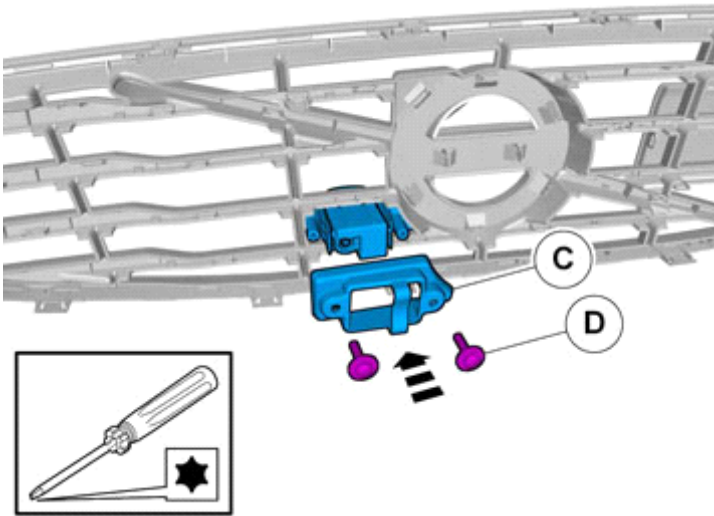
Volvo Car Corporation Gothenburg, Sweden

95



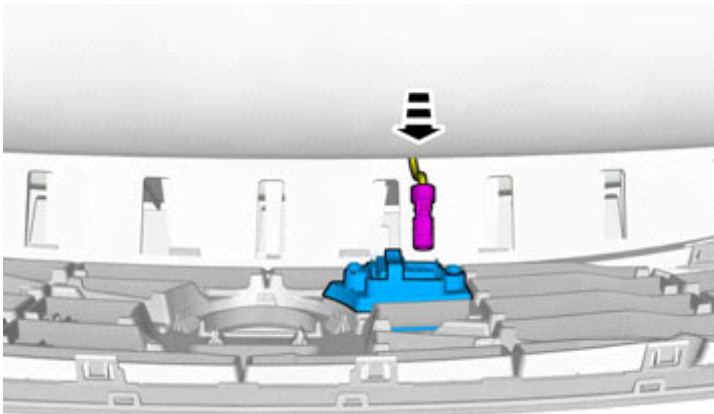
IMG-373513

96



IMG-373514

97



Connect the connector.

IMG-373515



Installation instructions, accessories

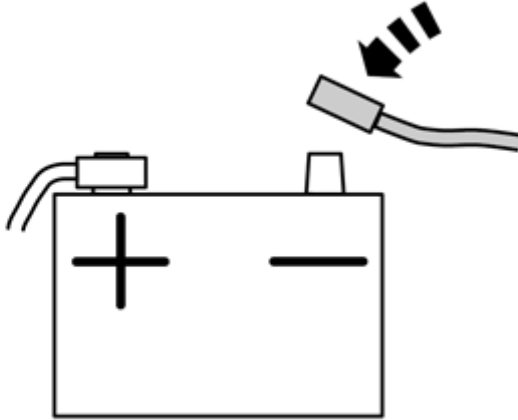
Volvo Car Corporation Gothenburg, Sweden

98

Reinstall the removed parts in reverse order.

99

Reinstall the battery's negative cable.

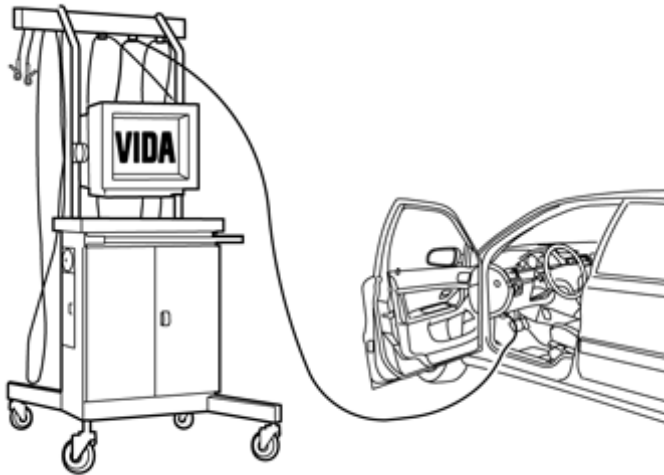


IMG-336901

100

Download software (application) for the accessory's function according to the service information in VIDA.

Order and download software according to: 31288598



IMG-242268